



SC HOUSINGS

*Stainless steel multi-cartridge housing
for liquid filtration*



high-purity filtration in liquid processes

Overview

Entegris' SC multi cartridge stainless steel housings can be installed with a maximum of 13 cartridges. The housing is constructed of high-quality 316, 316L or 304 stainless steel and recommended for liquid filtration in electronics manufacturing, chemical processing and general industry applications.

Features and Benefits

- Constructed of 316L or 304 stainless steel; 316L construction provides excellent corrosion resistance
- Electropolished finish eliminates harmful contaminants

- Accepts Entegris code 0 type cartridges, providing high-purity filtration
- ANSI 150# or JIS 10K FF flange inlet/outlet connections for ease of installation

Applications

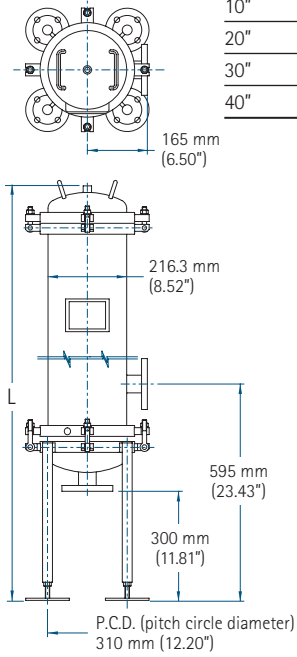
- Pre-filtration and final filtration of liquid processes

Specifications

Materials:	Housing (shell, head, bottom, manifold, pressure plate, tie rod, butterfly nut)	316L or 304 stainless steel					
	Spring	316 stainless steel					
	Plug	316L stainless steel					
	Clamp nut /clamp bolt	Brass/304 stainless steel					
	Leg	304 stainless steel					
	O-ring	FKM or E-FKM					
Surface finish:	Interior	Pickling, #400 buffing, electropolished					
	Exterior	Pickling					
Connections:	Inlet/outlet	ANSI 150# flange	1½B	2B	2½B	3B	4B
		JIS 10K FF flange	40A	50A	65A	80A	100A
	Vent	¾" NPT or Rc ¾"					
	Drain	½" NPT or Rc ½"					
Maximum operating pressure	0.69 MPa @ 40°C (static)						
Cartridge configuration:	Entegris code-0, 222 o-ring type						
Cartridge diameter:	70 mm (2.75")						

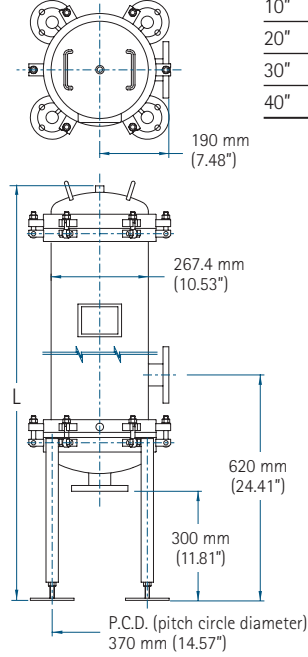
Dimensions

4 Cartridges Type



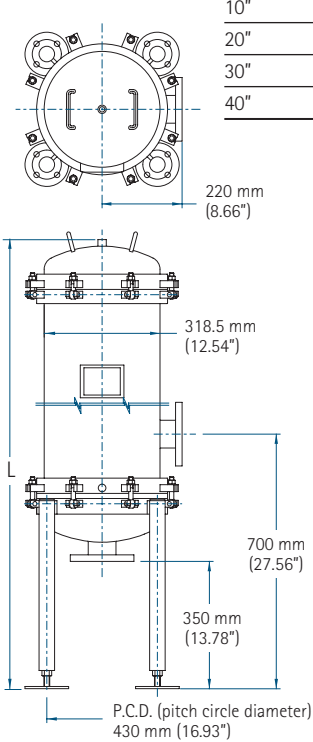
Cartridge	L
10"	865 mm (34.06")
20"	1115 mm (43.90")
30"	1365 mm (53.74")
40"	1615 mm (63.58")

7 Cartridges Type



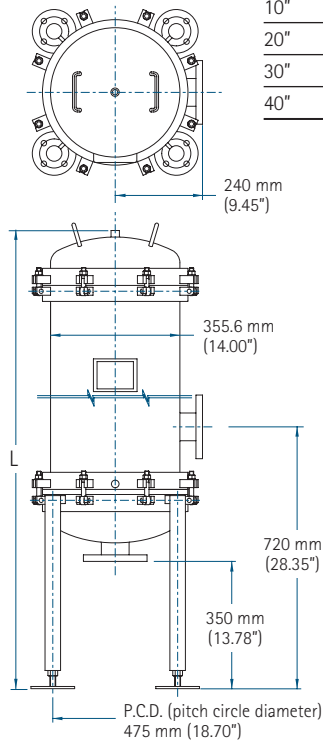
Cartridge	L
10"	890 mm (35.04")
20"	1140 mm (44.88")
30"	1390 mm (54.72")
40"	1640 mm (64.57")

11 Cartridges Type



Cartridge	L
10"	985 mm (38.78")
20"	1235 mm (48.62")
30"	1485 mm (58.46")
40"	1735 mm (68.31")

13 Cartridges Type



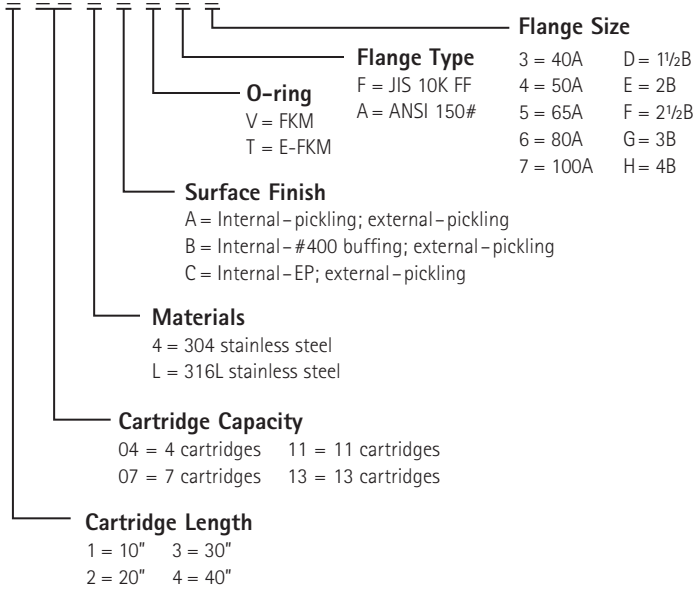
Cartridge	L
10"	1010 mm (39.76")
20"	1260 mm (49.61")
30"	1510 mm (59.45")
40"	1760 mm (69.29")

Ordering Information

SC Housings

Part Number

SC0



Spare O-rings

Part Number		Housing Type	O-ring Size
FKM	E-FKM		
SC04000VT	SC04000T	SC-4	G220
SC07000VT	SC07000T	SC-7	G270
SC11000VT	SC11000T	SC-11	G325
SC13000VT	SC13000T	SC-13	G360

For More Information

Please call your Regional Customer Service Center today to learn what Entegris can do for you. Visit www.entegris.com and select the "Customer Service" link for the center nearest you.

Terms and Conditions of Sale

All purchases are subject to Entegris' "Terms and Conditions of Sale." To view and print this information, visit Entegris' website at www.entegris.com and select the Legal Notices link from the footer found on the home page.

Entegris® is a registered trademark of Entegris, Inc.

ENTEGRIS, INC.

Corporate Headquarters | 129 Concord Road | Billerica, MA 01821 USA
 Customer Service Tel. +1 952-556-4181 | In North America 800-394-4083 | Customer Service Fax +1 952-556-8022
www.entegris.com