



## SF HOUSING

*Advanced PTFE-lined housing for microelectronics-grade bulk chemical and CDS*

### Overview

SF housing is an advanced PTFE-lined, multi-round housing with a maximum of 18 cartridges. The housing is constructed of a high-quality 304 stainless steel shell and a high-performance lining material.

The lining material is an upgraded laminated new PTFE sheet with glass cloth. It is recommended for microelectronics-grade bulk chemical and CDS suppliers that require strong chemical compatibility, high flow and superior purity.

### Application

Bulk chemical and CDS supplier's key applications:

- Advanced ArF photoresist and related chemicals, such as PGMEA and BARC
- Stripper
- High-purity solvent or water
- Alkali and acid, such as H<sub>2</sub>O<sub>2</sub>, H<sub>2</sub>SO<sub>4</sub> and ITO etchant

### Features and Benefits

- Advanced PTFE lining material has strong corrosion and abrasion resistance to prevent contamination of high-purity products
- Superior surface evenness guarantees the use of high-purity, microelectronics-grade chemicals
- High lining and welding techniques ensure the stability of lining material from stress
- ANSI #150LB or JIS 10K FF inlet/outlet connections for ease of installation

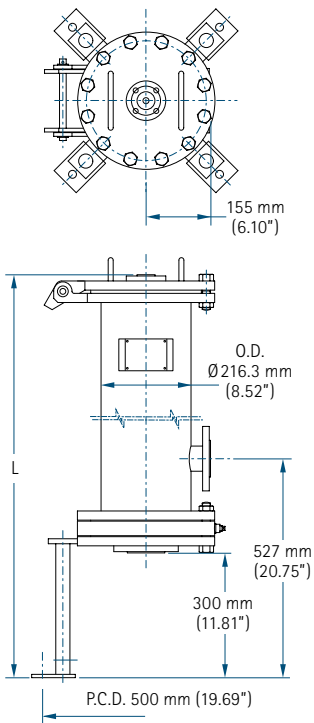


## Specifications

Materials:	Housing (shell, bottom, head)	304 stainless steel with advanced PTFE lining material	
	Plug, manifold, tie rod, nut, plate	PTFE	
	Bolt nut	304 Stainless Steel	
	O-ring	E-FKM	
	Gasket	PTFE	
Surface Finish:	External surface	Pickling	
Connections:	Inlet/outlet	JIS 10K FF	20A, 25A, 40A, 50A, 65A, 80A, 100A
		ANSI #150 LB	¾B, 1B, 1.5B, 2B, 2.5B, 3B, 4B
	Vent	JIS 10K FF	15A
ANSI #150 LB		½B	
Drain	Rc ¼", NPT ¼"		
Maximum operating pressure:	0.69 MPa @ 40°C		
Cartridge configuration:	Entegris Code-0, 222 o-ring type		
Cartridge diameter:	70 mm, 83 mm		

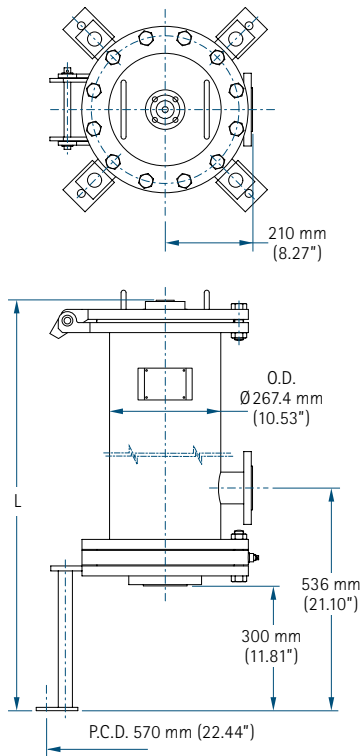
## Dimensions

**3 (Ø70, Ø83) or 4 (Ø70 only) Cartridge Type**



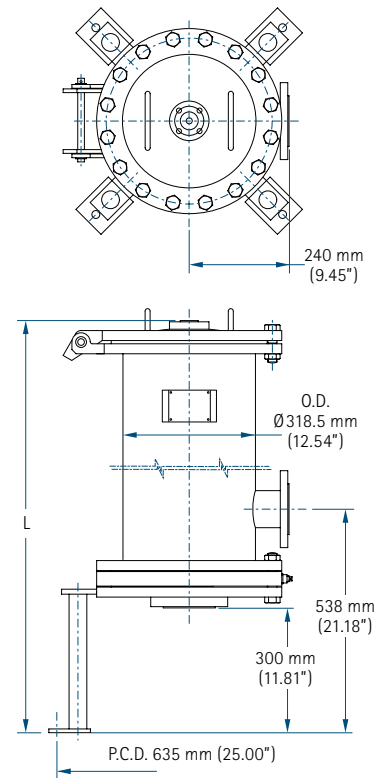
Cartridge	Length
10"	720 mm (28.35")
20"	970 mm (38.19")
30"	1220 mm (48.03")

**5 (Ø70, Ø83) or 7 (Ø70 only) Cartridge Type**



Cartridge	Length
10"	738 mm (29.06")
20"	988 mm (38.90")
30"	1238 mm (48.74")

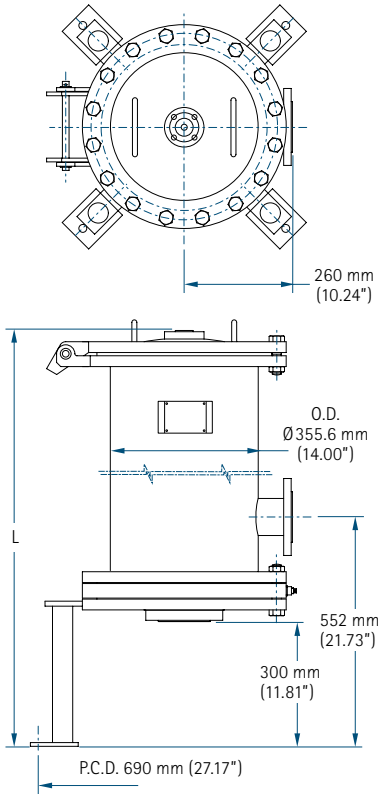
**8 (Ø70, Ø83) or 10 (Ø70 only) Cartridge Type**



Cartridge	Length
10"	742 mm (29.21")
20"	992 mm (39.06")
30"	1242 mm (48.90")

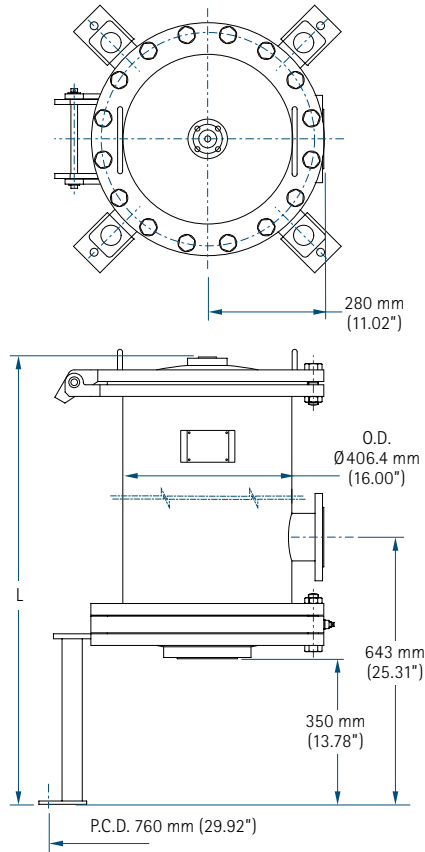
# Dimensions

10 (Ø70, Ø83) or 12 (Ø70 only)  
Cartridge Type



Cartridge	Length
10"	751 mm (29.57")
20"	1001 mm (39.41")
30"	1251 mm (49.25")

14 (Ø70, Ø83) or 18 (Ø70 only)  
Cartridge Type

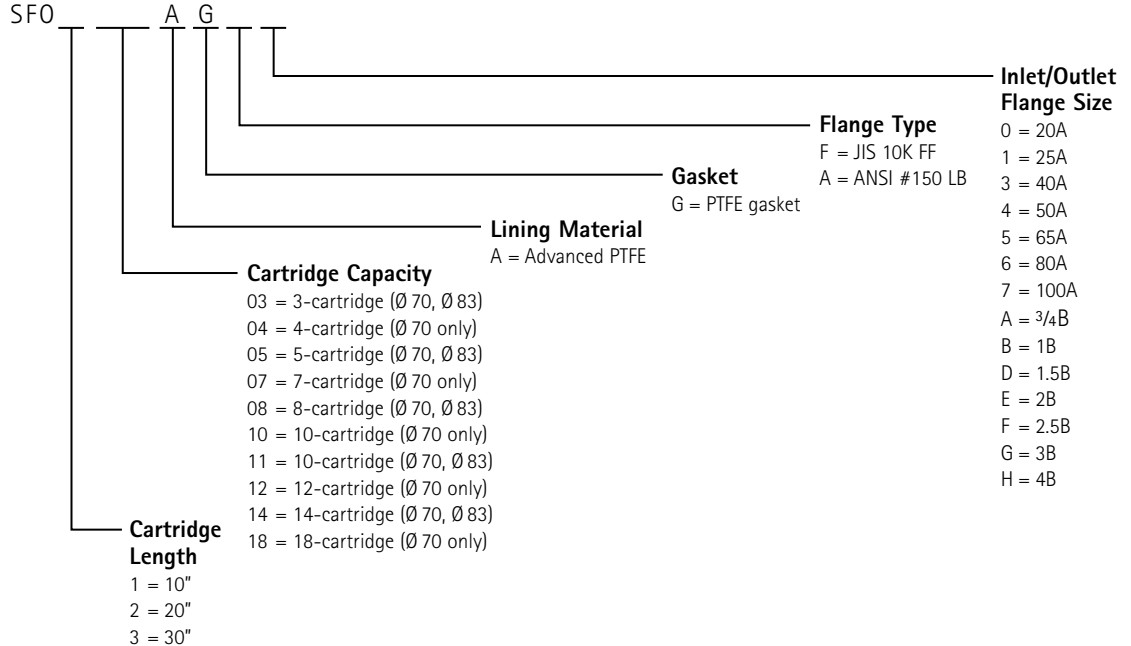


Cartridge	Length
10"	818 mm (32.20")
20"	1068 mm (42.05")
30"	1297 mm (51.06")

# Ordering Information

## SF Housings

### Part Number



## Accessories

Part Number	Description
SF00300T1	O-ring E-FKM G-230
SF00500T1	O-ring E-FKM G-290
SF00800T1	O-ring E-FKM G-340
SF01000T1	O-ring E-FKM AS568A-384
SF01400T1	O-ring E-FKM AS568A-386
SFONPTPL	¼" NPT PTFE plug
SF00PTPL	¼" Rc PTFE plug
SFONPTBH	¼" NPT PTFE bushing
SF00PTBH	¼" Rc PTFE bushing

## For More Information

Please call your Regional Customer Service Center today to learn what Entegris can do for you. Visit [www.entegris.com](http://www.entegris.com) and select the Customer Service link for the center nearest you.

## Terms and Conditions of Sale

All purchases are subject to Entegris' Terms and Conditions of Sale. To view and print this information, visit [www.entegris.com](http://www.entegris.com) and select the Legal Notices link from the footer.

Entegris® is a registered trademark of Entegris, Inc.

### ENTEGRIS, INC.

Corporate Headquarters | 129 Concord Road | Billerica, MA 01821 USA  
 Customer Service Tel. +1 952 556 4181 | Customer Service Fax +1 952 556 8022  
 In North America 800 394 4083 | [www.entegris.com](http://www.entegris.com)