



SI HOUSINGS

Stainless steel multi-cartridge housing for liquid filtration

Overview

Entegris SI housings can be installed with a maximum of 45 cartridges. The housing is constructed of high-quality 304 stainless steel and recommended for liquid filtration in electronics, chemical and general industry applications.

Features and Benefits

- Constructed of 304 stainless steel – provides excellent corrosion resistance
- Accepts Entegris code-F type cartridges – providing high-purity filtration performance
- ANSI #150lb or JIS 10K flange inlet/outlet connections for ease of installation
- Lifter operation for simplified cartridge filter installation

Application

- Pre-filtration and final filtration of liquid process

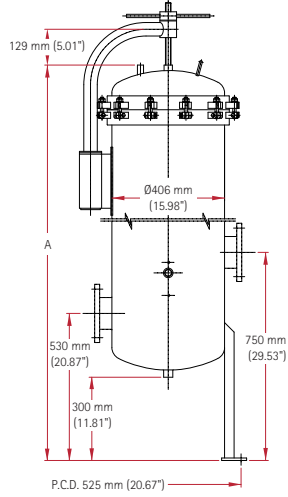
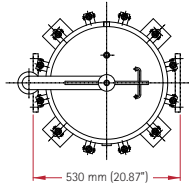


Specifications

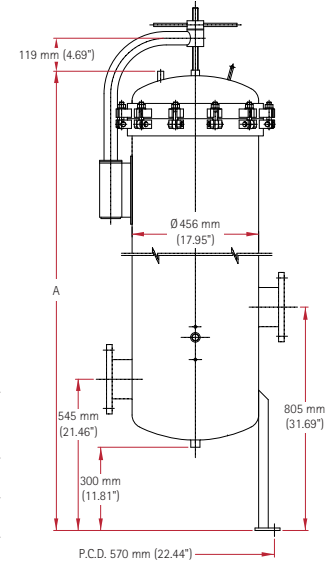
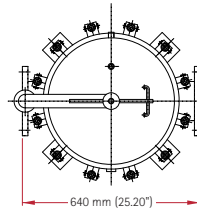
Materials:	Housings (shell, head, bottom, manifold, tie rod, seal adaptor, seal nut)	304 stainless steel	
	O-ring	EPDM	
Surface finish:	Interior/exterior	Pickling	
Connections:	Inlet/outlet	ANSI 150lb flange	4B, 5B, 6B or 8B
		JIS 10K flange	100A, 125A, 150A or 200A
	Vent	Rc 3/8" or NPT 3/8"	
	Drain	Rc 3/4" or NPT 3/4"	
	PDI	Rc 1/4" or NPT 1/4"	
Maximum operating pressure:	0.69 MPa at 40°C (static)		
Cartridge configuration:	Entegris code-F type		
Cartridge length/diameter:	30" or 40" / 70 mm (2.75")		

Note: Preliminary specifications and features subject to change. PDI port is a pressure drop indicator service.

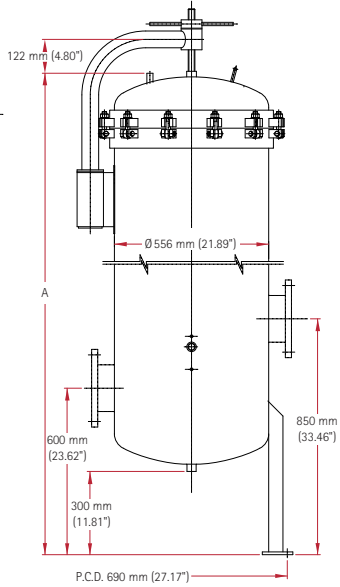
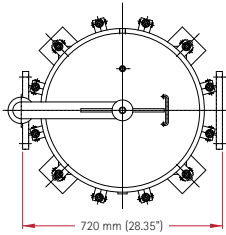
Dimensions



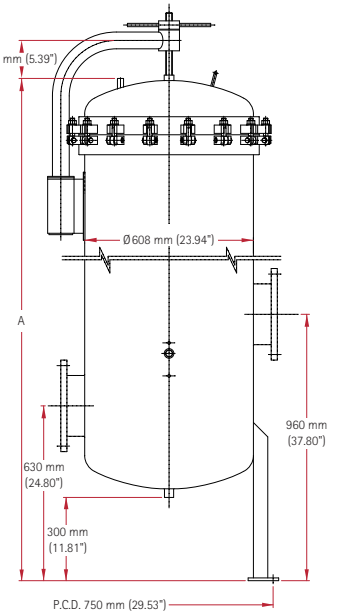
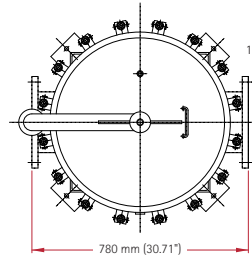
Cartridge Type	A
30"	1625 mm (63.98")
40"	1875 mm (73.82")



Cartridge Type	A
30"	1655 mm (65.16")
40"	1905 mm (75")



Cartridge Type	A
30"	1735 mm (68.31")
40"	1985 mm (78.15")

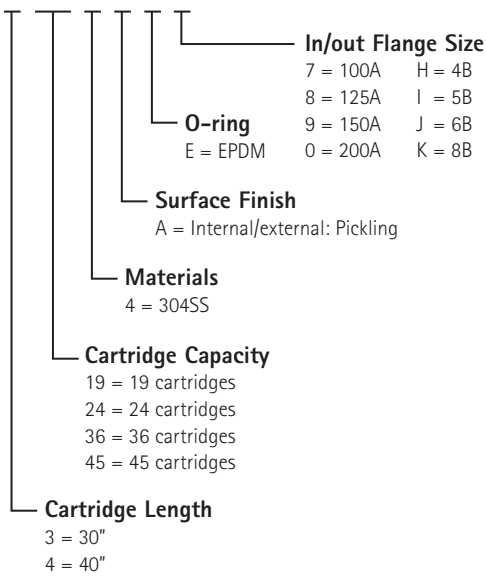


Cartridge Type	A
30"	1810 mm (71.26")
40"	2060 mm (81.1")

Ordering Information

Part Number

SIF



Spare o-rings

Part number	Housing type	O-ring size ISO standard	Qty/Pkg
SI19000EP	SI-19	E4120G	2
SI24000EP	SI-24	E4620G	2
SI36000EP	SI-36	E5600G	2
SI45000EP	SI-45	E6150G	2

For More Information

Please call your Regional Customer Service Center today to learn what Entegris can do for you. Visit www.entegris.com and select the “Customer Service” link for the center nearest you.

Terms and Conditions of Sale

All purchases are subject to Entegris’ “Terms and Conditions of Sale.” To view and print this information, visit Entegris’ website at www.entegris.com and select the Legal Notices link from the footer found on the home page.

Entegris® is a registered trademark of Entegris, Inc.

ENTEGRIS, INC.

Corporate Headquarters | 129 Concord Road | Billerica, MA 01821 USA
Customer Service Tel. +1 952-556-4181 | In North America 800-394-4083 | Customer Service Fax +1 952-556-8022
www.entegris.com