



SOLARIS® CM DEPTH FILTERS

Graded density depth media filters for removal of hard particles and gels in suspended solids



superior flow and extended filter lifetime

Overview

Solaris® CM disposable depth filters are graded density depth media filters designed for the removal of hard particles and gels from CMP slurries. They provide exceptional filtration performance with superior flow and extended filter lifetime for on-tool filtration. Available with Entegris' Connectology® technology.

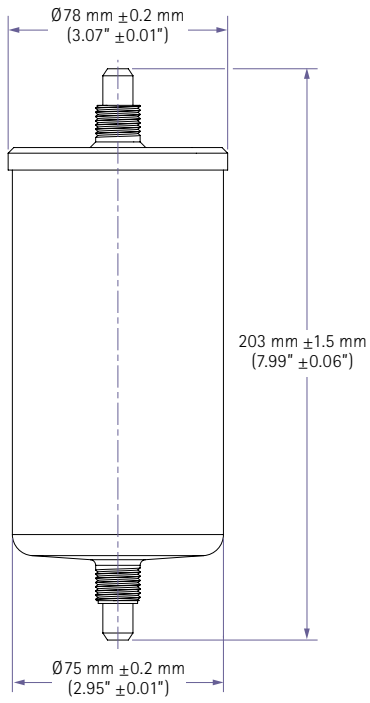
Features	Benefits
Unique multi-gradient depth media	Provides enhanced balance of retention with filter lifetime for current and next generation CMP Slurries. Format is specifically designed for on-tool filtration.
All-polypropylene construction	Provides cost-effective, clean solution with excellent chemical compatibility.
Available retention ratings from 0.3 to 5.0 µm	Includes several retention ratings that meet the specific needs of single pass retention and lifetime requirements. Optimized for use with loop filtration.
Self-venting disposable design with vertical installation	Disposable design enables rapid filter changeout and less slurry waste. Self-venting in vertical installation ensures optimum flow characteristics. Available with Connectology technology for fast changeout.

Specifications

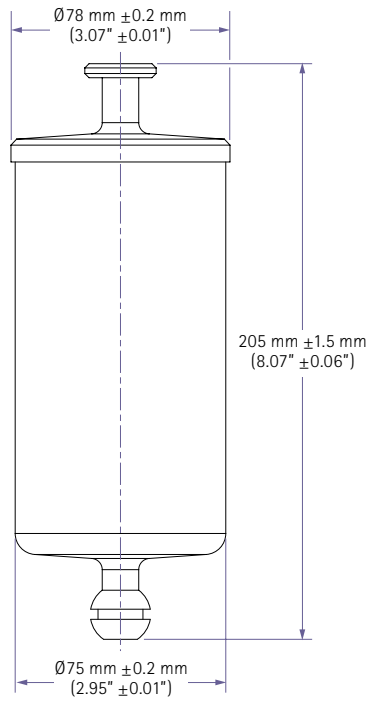
Materials of construction:	Shell	Polypropylene
	Filter media	Polypropylene depth filter
Operating conditions:	Maximum liquid service pressure	3.5 bar @ 20°C (68°F)
	Maximum operating temperature	50°C (122°F)
Available sizes and dimensions:	5" model	Ø75 mm × 205 mm; other sizes available upon request
	Fittings	Single 3/8" flare fittings or compatible Connectology technology
Available retention ratings:	0.3, 0.5, 0.7, 1.0, 3.0 and 5.0 µm	

Dimensions

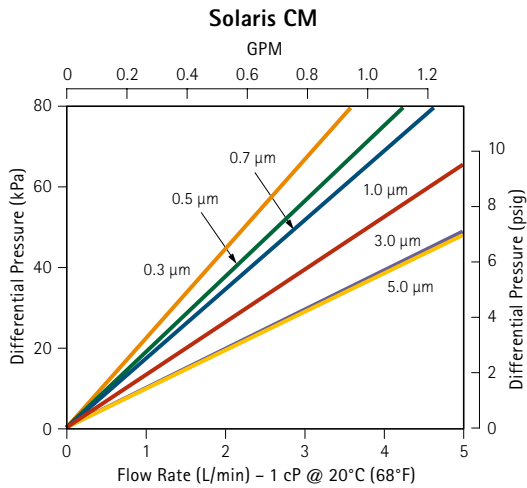
Solaris CM Depth Filter with Flare Connection



Solaris CM Depth Filter with Connectology Connection



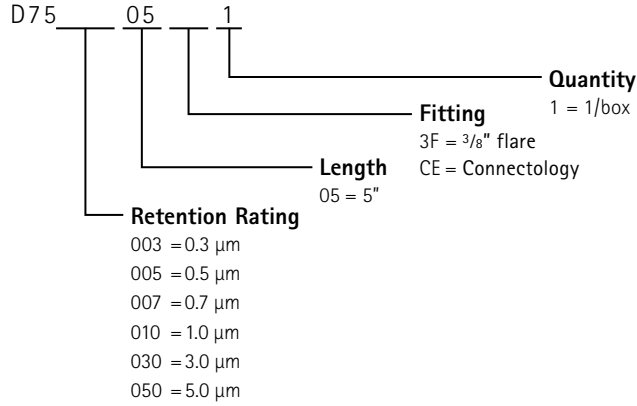
Performance Data



Ordering Information

Solaris CM Depth Filters

Part Number



Example: **D75030053F1**

Retention rating = 3.0 μm

Length = 5"

Fitting = $\frac{3}{8}$ " flare

Quantity = 1/box

For More Information

Please call your Regional Customer Service Center today to learn what Entegris can do for you. Visit www.entegris.com and select the Customer Service link for the center nearest you.

Terms and Conditions of Sale

All purchases are subject to Entegris' Terms and Conditions of Sale. To view and print this information, visit www.entegris.com and select the Legal Notices link from the footer.

Entegris®, the Entegris Rings Design®, Creating a Material Advantage®, Solaris® and Connectology® are registered trademarks of Entegris, Inc.

ENTEGRIS, INC.

Corporate Headquarters | 129 Concord Road | Billerica, MA 01821 USA
Customer Service Tel. +1 952 556 4181 | Customer Service Fax +1 952 556 8022
In North America 800 394 4083 | www.entegris.com