



SOLARIS® FILTRATION TECHNOLOGY MANIFOLD

For low-flow, point-of-use CMP applications

Overview

Solaris® long-life, multi-stage filters and manifolds are designed for optimum gel removal and media-specific particle and agglomerate retention in the most demanding CMP applications.

With more than twice the lifetime of conventional depth filters, Solaris filtration technology delivers long-lasting, easy-to-use, disposable methods of reducing defect-causing particles, gels and agglomerates while simultaneously allowing working particles to pass.

Rapid Filter Changeout

The Solaris manifold provides rapid filter changeout with no tools – you can change the filter in less than one minute. Additionally, with its compact, stable design, the Solaris manifold provides easy installation or retrofit into existing tools.

Self-venting Design

Solaris filters have a self-venting feature which allows bubbles formed during decomposition of some hydrogen peroxide-based slurries to easily flow through filter and not cause “dead space” for potential slurry dry-out.

Less Handling, More Cleanliness and Safety

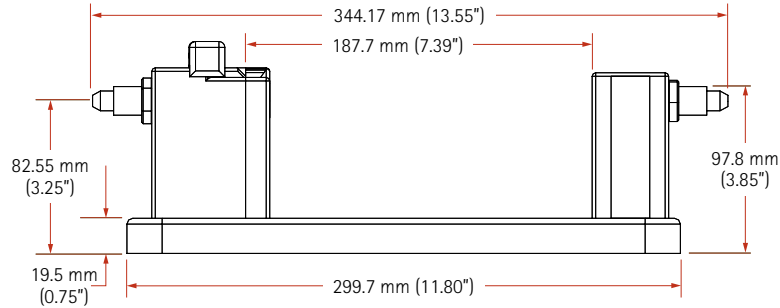
The convenient disposable design minimizes exposure to slurry while maximizing convenience during filter changeout. The self-venting feature provides a more efficient startup with less slurry handling.



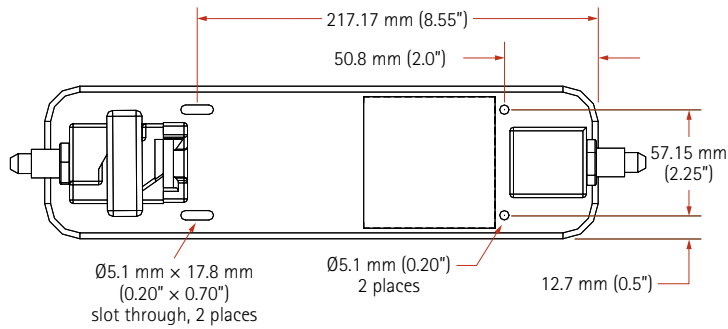
Features	Benefits
Self-venting filtration	Eliminates dead space and potential for slurry dry-out in the filtration media, ensuring longer life.
Disposable design	Allows quick installation and minimizes downtime while limiting the handling of hazardous chemicals during the installation and disposal processes, thereby promoting a more healthy workplace.

Dimensions

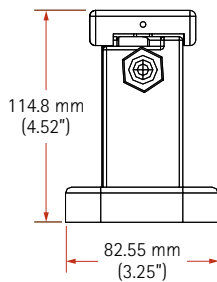
Solaris Manifold – Side View



Solaris Manifold – Bottom View



Solaris Manifold – Top View



For More Information

Please call your Regional Customer Service Center today to learn what Entegris can do for you. Visit www.entegris.com and select the Customer Service link for the center nearest you.

Ordering Information

Part Number	Description
SLRM 10 350	Solaris filtration technology manifold

Terms and Conditions of Sale

All purchases are subject to Entegris' Terms and Conditions of Sale. To view and print this information, visit www.entegris.com and select the Legal Notices link from the footer.

Entegris®, the Entegris Rings Design® and Solaris® are registered trademarks of Entegris, Inc.

ENTEGRIS, INC.

Corporate Headquarters | 129 Concord Road | Billerica, MA 01821 USA
 Customer Service Tel. +1 952 556 4181 | Customer Service Fax +1 952 556 8022
 In North America 800 394 4083 | www.entegris.com