

Solaris® NMB Point-of-Tool CMP Filters

*Advanced slurry filters for
large particle reduction*

Delivering point-of-tool filtration solutions to advanced CMP applications, Solaris® NMB filters offer very low large particle counts (LPC) and no change to particle size distribution. Advanced CMP applications are moving toward lower solid concentration, very fine abrasive, and very stringent defect levels. Solaris NMB is specially designed to reduce critical large particle counts in various applications, especially optimized for colloidal silica, ceria, and very fine alumina slurries. Solaris NMB filters provide higher retention and longer lifetime performance.

Higher Retention, Lower Resistance and Superior Lifetime

Solaris NMB filters contain nanofibers and multilayered continuous melt-blown (CMB) media for an improved flow path with high retention. Finer fiber can increase the media porosity and reduce the media resistance. The large gradient design increases particle-loading capacity and provides long-lasting filtration without compromising the filter retention performance.

Low Hold-up Volume Design

Solaris NMB filter molded surfaces are designed to be “well-swept” with minimal dead space. This minimizes the entrapment of “seed” particles, ensures good venting of any bubbles formed from hydrogen peroxide additives, and eliminates potential slurry dry-out.

Less Handling, More Cleanliness and Safety

The convenient disposable design minimizes exposures to the slurry and reduces slurry waste. Solaris NMB filters are available with our Connectology® design for fast filter changeouts and increased cleanliness during the filter installation.



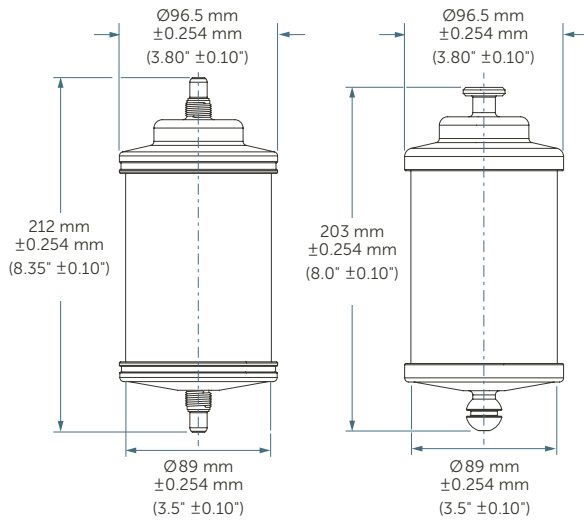
FEATURES & BENEFITS

Nanofiber continuous melt-blown media (NMB)	Superior agglomerate and gel removal efficiency Better particle-holding capacity, prolonging filter life over traditional media
Low pressure drop	No extra pressure cost when upgrading to the tighter pore filter
Low hold-up volume	Reduces waste and setup time
Self-venting filtration	Eliminates dead space and potential for slurry dry-out in the filtration media
Disposable Connectology design	Allows for quick installation, eliminates downtime, and limits operator handling of hazard chemicals during the installation and processes

SPECIFICATIONS

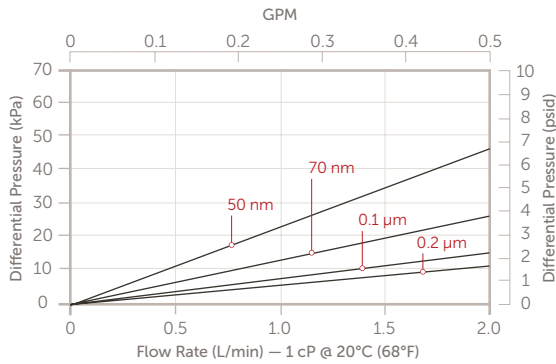
Materials	Media	Melt-blown polypropylene
	O-ring (inner cartridge)	Ethylene polypropylene rubber (EPR)
Operating conditions	50 psi @ 20°C (68°F)	

DIMENSIONS

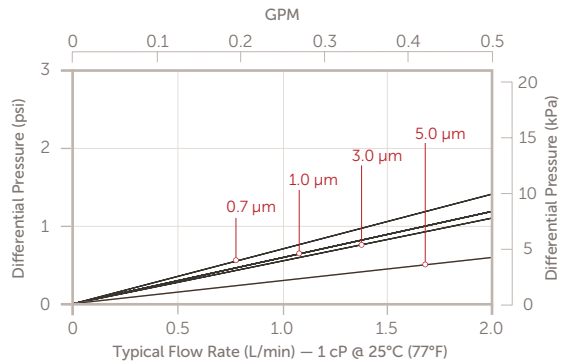


PERFORMANCE DATA

Solaris NMB Point-of-tool CMP Filters with Connectology Connection

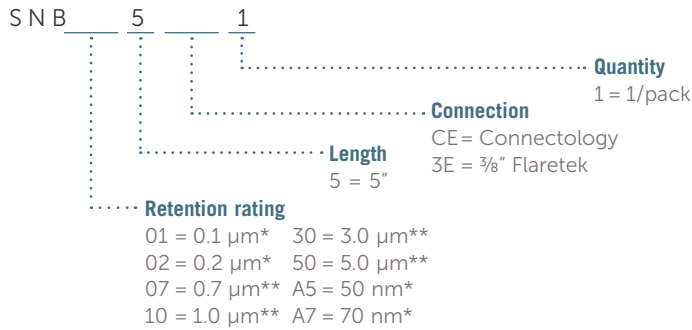


Solaris NMB Point-of-tool CMP Filters with 3/8" Flaretek® Connection



ORDERING INFORMATION

Solaris NMB CMP Filters: part number



*Available with CE connection only.

**Available with 3E connection only.

Example: SNB015CE1

Retention rating = 0.1 µm

Length = 5"

Connection = Connectology

Quantity = 1/pack

FOR MORE INFORMATION

Please call your Regional Customer Service Center today to learn what Entegris can do for you. Visit entegris.com and select the [Contact Us](#) link to find the customer service center nearest you.

TERMS AND CONDITIONS OF SALE

All purchases are subject to Entegris' Terms and Conditions of Sale. To view and print this information, visit entegris.com and select the [Terms & Conditions](#) link in the footer.



Corporate Headquarters
129 Concord Road
Billerica, MA 01821
USA

Customer Service
Tel +1 952 556 4181
Fax +1 952 556 8022
Toll Free 800 394 4083

Entegris®, the Entegris Rings Design®, and other product names are trademarks of Entegris, Inc. as listed on entegris.com/trademarks. All third-party product names, logos, and company names are trademarks or registered trademarks of their respective owners. Use of them does not imply any affiliation, sponsorship, or endorsement by the trademark owner.

©2012-2020 Entegris, Inc. | All rights reserved. | Printed in the USA | 4423-7298ENT-0820