

# Trinzik™ XFX Filters

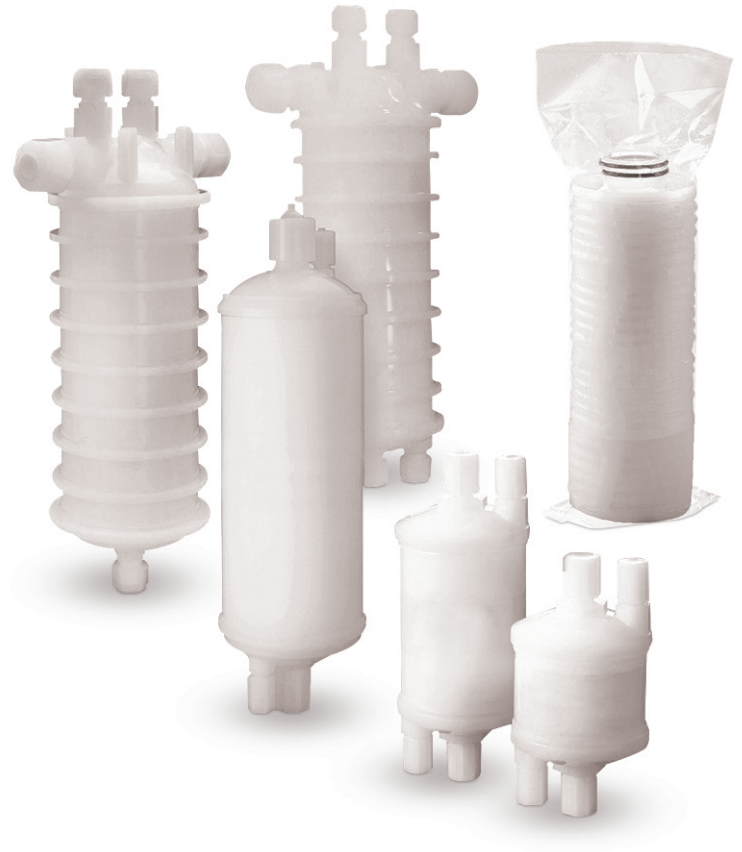
*Improve yield in bulk chemical  
and point-of-tool applications using  
advanced, high-flow filtration*

Entegris has expanded the high-performance Trinzik™ filter portfolio to include advanced Trinzik XFX 10 nm filters, which combine a unique high-flow membrane, all-PFA and -PTFE construction, and specialized cleaning to improve chemical cleanliness.

Utilizing unique membrane morphology, the high-flow membrane offers industry-leading flow, ideal for recirculation of high-viscosity chemicals including sulfuric and phosphoric acids. Available in cartridge and disposable formats, Trinzik XFX high-flow filters enable lower cost of ownership in new installations, upgraded retention without capital improvement, and improved chemical cleanliness from increased tank turns.

## APPLICATIONS

- Advanced bulk chemical production and final filtration
- Single wafer and batch tools
- Chemical delivery systems



## FEATURES & BENEFITS

<b>Uniquely tailored PTFE membrane morphology</b>	Enables the highest flow, 10 nm PTFE filter available in the market  Provides faster tank turns, increased compatibility with high-viscosity applications, and smaller filter footprint
<b>Small pore size membrane design</b>	Advanced particle removal increases device yield
<b>PFA construction and advanced cleaning</b>	Improved startup time with lower extractables

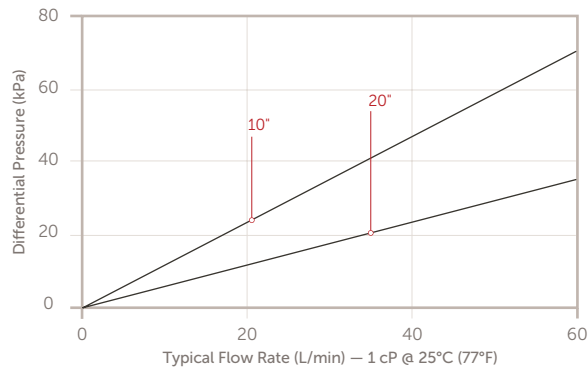
# Trinzik XFX Cartridge Filter

## SPECIFICATIONS

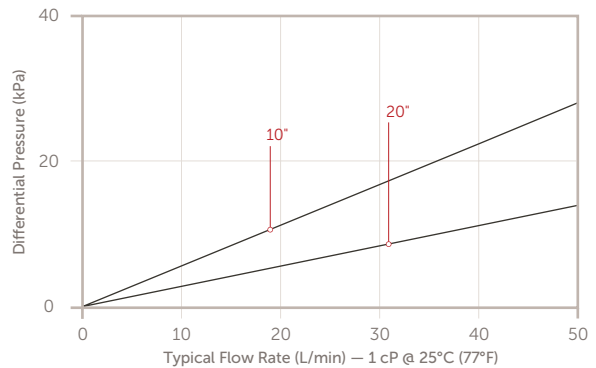
<b>Materials of construction</b>	Membrane	Prewet, nondewetting, PTFE
	Support, core, sleeve	PFA
	O-ring	E-ETP, Kalrez®, E-FKM
<b>Membrane area</b>	10", 20" ATE	~2.2 m <sup>2</sup> (23.68 ft <sup>2</sup> ), ~4.4 m <sup>2</sup> (47.36 ft <sup>2</sup> )
	10", 20" AT	~0.9 m <sup>2</sup> (9.69 ft <sup>2</sup> ), ~1.8 m <sup>2</sup> (19.37 ft <sup>2</sup> )
<b>Cleanliness</b>	UCM	
<b>Maximum operating conditions</b>	Maximum operating pressure:	
	0.58 MPa (5.8 bar; 84 psi) @ 25°C (77°F)	
	0.097 MPa (0.97 bar; 14 psi) @ 200°C (392°F)	
	Maximum forward differential pressure:	
	0.44 MPa (4.4 bar; 64 psi) @ 25°C (77°F)	
0.05 MPa (0.5 bar; 7.3 psi) @ 200°C (392°F)		
Maximum reverse differential pressure:		
0.35 MPa (3.45 bar; 50 psi) @ 25°C (77°F)		
Maximum operating temperature:		
200°C (392°F)		
<b>Extractables</b>	Metallic	UCM: Testing conducted for 16 metals

## PERFORMANCE DATA

Trinzik XFX 10 nm AT Cartridge Filter

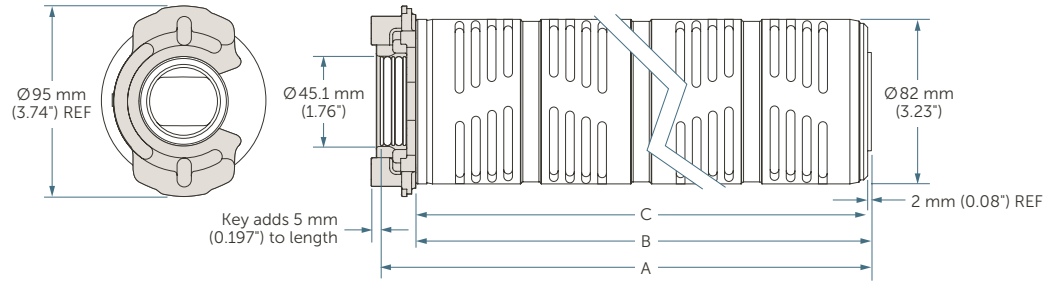


Trinzik XFX 10 nm ATE Cartridge Filter



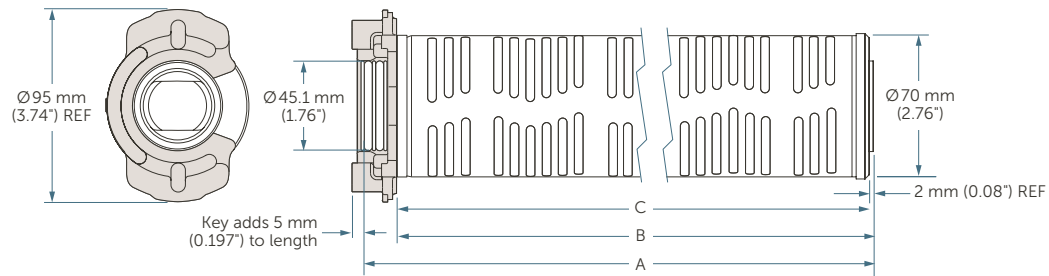
## DIMENSIONS

### Trinzik XFX ATE Cartridge Filters



Filter	A	B	C
10" ATE	244 mm (9.61")	227 mm (8.94")	225 mm (8.86")
20" ATE	471 mm (18.54")	454 mm (17.87")	452 mm (17.80")

### Trinzik XFX AT Cartridge Filters

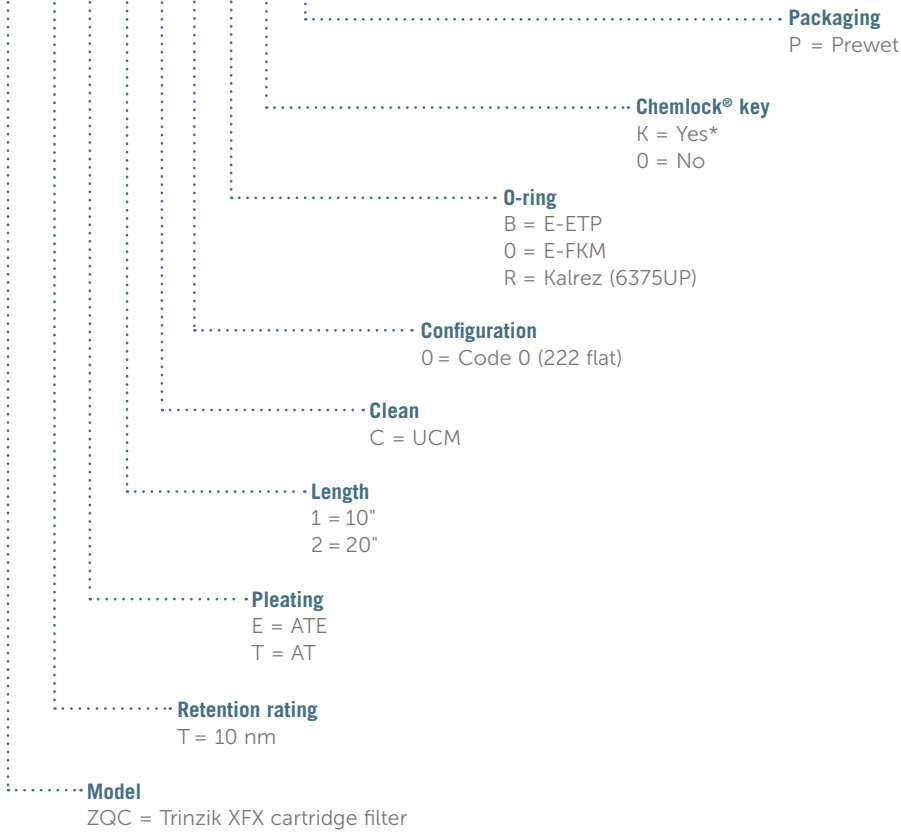


Filter	A	B	C
10" AT	262.3 mm (10.33")	245 mm (9.65")	243 mm (9.57")
20" AT	498.3 mm (19.62")	481 mm (18.94")	479 mm (18.86")

## ORDERING INFORMATION

Trinzik XFX Cartridge Filters: part number

ZQC T C 0 P



*\*Optional Chemlock key attached to cartridge for use with Chemlock housing only. Additional configurations may be available upon request. Contact your local Entegris sales representative for details.*

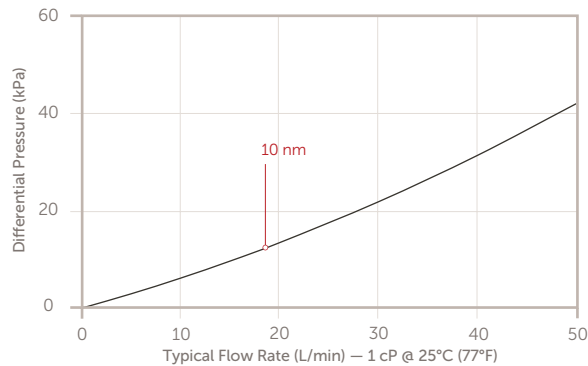
# Trinzik XFX Chem-Line™ I and Chem-Line II Disposable Filters

## SPECIFICATIONS

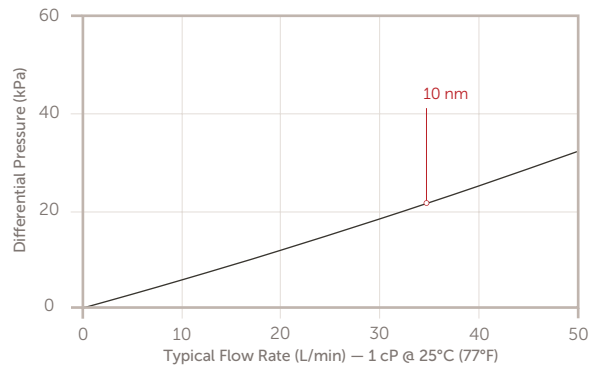
<b>Materials of construction</b>	Membrane	Prewet, nondewetting, PTFE
	Support, core, sleeve, shell	PFA
<b>Membrane area</b>	10" ATE	~2.2 m <sup>2</sup> (23.68 ft <sup>2</sup> )
<b>Cleanliness</b>	UCM	
<b>Connections</b>	Chem-Line I T-line, rotated vent	Super 300 Type Pillar® ¾" or 1" inlet/outlet; ½" vent/drain
	Chem-Line II In-line	Flaretek® ¾" or 1" inlet/outlet; ¼" vent/drain
<b>Maximum operating conditions</b>	<p>Maximum operating pressure:                      0.58 MPa (5.8 bar; 84 psi) @ 25°C (77°F)                      0.097 MPa (0.97 bar; 14 psi) @ 200°C (392°F)</p> <p>Maximum forward differential pressure:                      0.44 MPa (4.4 bar; 64 psi) @ 25°C (77°F)                      0.05 MPa (0.5 bar; 7.3 psi) @ 200°C (392°F)</p> <p>Maximum reverse differential pressure:                      0.34 MPa (3.4 bar; 49 psi) @ 25°C (77°F)</p> <p>Maximum operating temperature:                      200°C (392°F)</p>	
<b>Extractables</b>	Metallic	UCM: Testing conducted for 16 metals

## PERFORMANCE DATA

Trinzik XFX ATE 10" disposable filters ¾" I/O



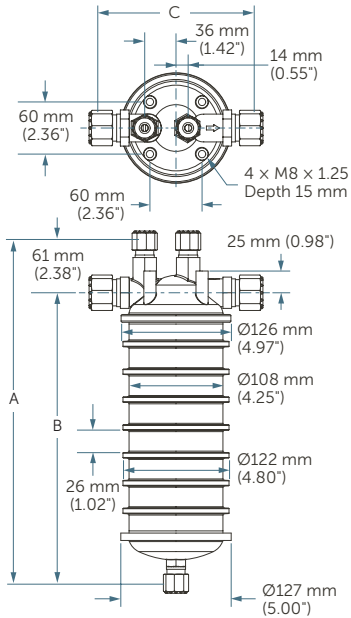
Trinzik XFX ATE 10" disposable filters 1" I/O



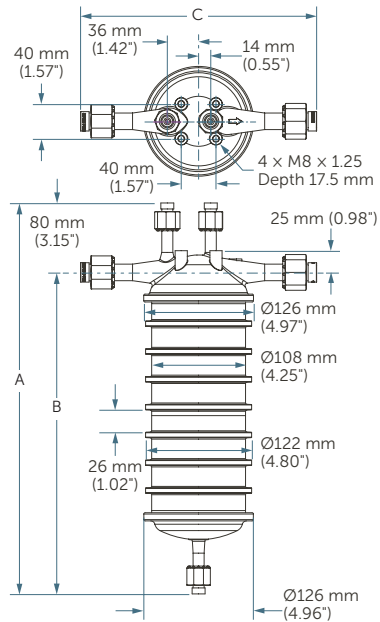
## DIMENSIONS

### Trinzik XFX 10 nm, 10" Chem-Line I Disposable Filter

**Chem-Line I T-line with Standard Vent (T02H, T42H)**



**Chem-Line I T-tube with Standard Vent (B02H, B02S, B02W, B02Z)**



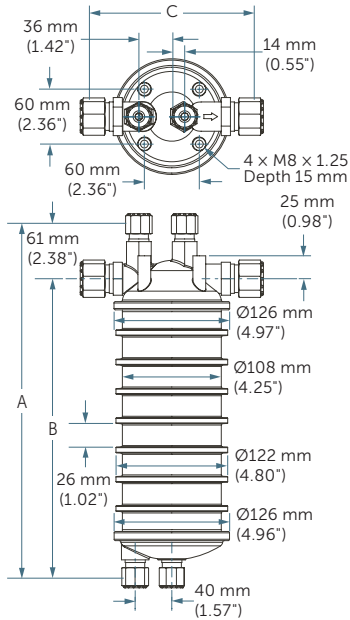
Disposable type	Length	Length A (overall height)	Length B (bottom fitting to centerline inlet fitting)	Length C (inlet to outlet)
<b>Nominal dimensions for Chem-Line I with standard vent (10" ATE) – T-line</b>				
T02H: 3/4" inlet/outlet; 1/2" vent/drain; Super Type Pillar® fittings	10"	396 mm (15.58")	335 mm (13.19")	180 mm (7.09")
<b>Nominal dimensions for Chem-Line I with standard vent (10" ATE) – B-line</b>				
B02S: 3/4" inlet/outlet; 1/2" vent/drain Super 300 Type Pillar fittings	10"	449 mm (17.69")	369 mm (14.53")	268 mm (10.55")

## DIMENSIONS (CONTINUED)

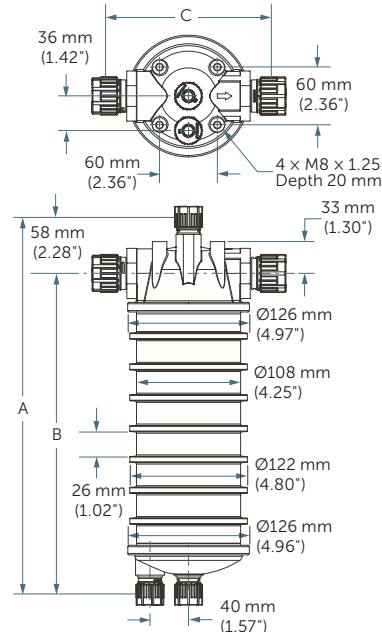
### Chem-Line I Disposable Filters with Core Vent and Core Vent (Rotated)

These drawings represent the Chem-Line I disposable filters with Core Vent and Core Vent (Rotated). Refer to the accompanying tables for specific dimensional information.

#### Chem-Line I T-line with Core Vent (T02H, T42H, T02S)



#### Chem-Line I T-line with Core Vent (Rotated) (902S, 942S, 902L, 942L)



Disposable type	Length	Length A (overall height)	Length B (bottom fitting to centerline inlet fitting)	Length C (inlet to outlet)
-----------------	--------	------------------------------	---	-------------------------------

#### Nominal dimensions for Chem-Line I with core vent (10" ATE) – T-line

T02S: 3/4" inlet/outlet; 1/2" vent/drain; Super 300 Type Pillar fittings	10"	383 mm (15.06")	324 mm (12.76")	172 mm (6.77")
T02H: 3/4" inlet/outlet, 1/2" vent/drain; Super Type Pillar fittings	10"	396 mm (15.58")	335 mm (13.19")	180 mm (7.09")

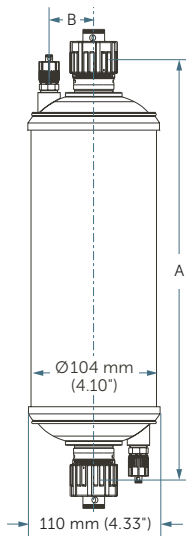
#### Nominal dimensions for Chem-Line I with core vent (rotated) (10" ATE) – T-line

902S: 3/4" inlet/outlet; 1/2" vent/drain; Super 300 Type Pillar fittings	10"	391 mm (15.37")	333 mm (13.11")	172 mm (6.77")
942S: 1" inlet/outlet; 1/2" vent/drain; Super 300 Type Pillar fittings	10"	391 mm (15.37")	333 mm (13.11")	182 mm (7.17")

## DIMENSIONS (CONTINUED)

### Chem-Line II Disposable Filters

This drawing represents the Chem-Line II disposable filters. Refer to the accompanying table for specific dimensional information.



Note:  
A = Overall height  
B = Centerline fitting length

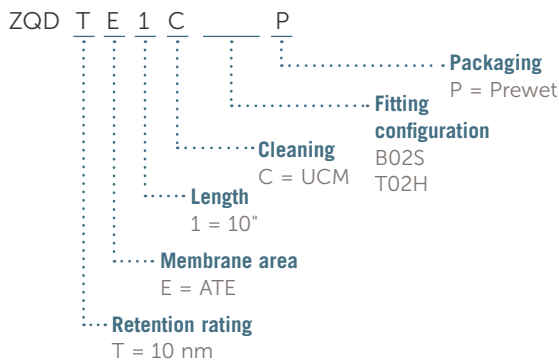
#### Nominal dimensions for Chem-Line II disposable filters

Inlet/ outlet	Vent/ drain	DIMENSIONS (10" FILTER)	
		A	B
<b>Flaretek® fittings</b>			
3/4"	1/4"	359 mm (14.13")	37 mm (1.46")
1"	1/4"	368 mm (14.47")	37 mm (1.46")
<b>Super 300 Type Pillar fittings (male)</b>			
3/4"	1/4"	341 mm (13.41")	37 mm (1.46")
3/4"	1/2"	349 mm (13.74")	41 mm (1.63")
1"	1/4"	383 mm (15.07")	37 mm (1.46")
1"	1/2"	380 mm (14.97")	41 mm (1.63")

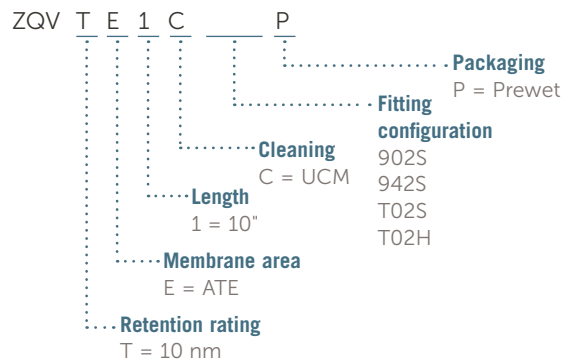
Note: A = Overall height; B = Centerline fitting length

## ORDERING INFORMATION

### Trinzik XFX Chem-Line I Disposable Filters with Standard Vent: part number



### Trinzik XFX Chem-Line I Disposable Filters with Core Vent and Core Vent (Rotated): part number



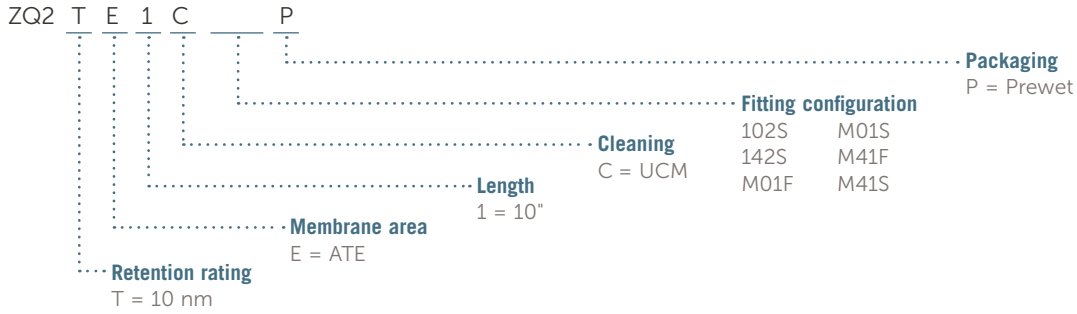
#### Fitting key

Key	Configuration	Inlet/outlet	Vent/drain	Fitting
T02H	T-line standard vent/T-line core vent	3/4"	1/2"	Super Type Pillar
B02S	T-tube standard vent	3/4"	1/2"	Super 300 Type Pillar
T02S	T-line core vent	3/4"	1/2"	Super 300 Type Pillar
902S	T-line core vent (rotated)	3/4"	1/2"	Super 300 Type Pillar
942S	T-line core vent (rotated)	1"	1/2"	Super 300 Type Pillar



## ORDERING INFORMATION

Trinzik XFX Chem-Line II Disposable Filters: part number



\*Additional configurations may be available upon request.  
Contact your local Entegris sales representative for details.

### Fitting key

Key	Configuration	Inlet/outlet	Vent/drain	Fitting
102S	In-line offset	3/4"	1/2"	Super 300 Type Pillar
142S	In-line offset	1"	1/2"	Super 300 Type Pillar
M01F	In-line	3/4"	1/4"	Flaretek
M01S	In-line	3/4"	1/4"	Super 300 Type Pillar
M41F	In-line	1"	1/4"	Flaretek
M41S	In-line	1"	1/4"	Super 300 Type Pillar

### FOR MORE INFORMATION

Please call your Regional Customer Service Center today to learn what Entegris can do for you.  
Visit [entegris.com](http://entegris.com) and select the [Contact Us](#) link to find the customer service center nearest you.

### TERMS AND CONDITIONS OF SALE

All purchases are subject to Entegris' Terms and Conditions of Sale. To view and print this information, visit [entegris.com](http://entegris.com) and select the [Terms & Conditions](#) link in the footer.



#### Corporate Headquarters

129 Concord Road  
Billerica, MA 01821  
USA

#### Customer Service

Tel +1 952 556 4181  
Fax +1 952 556 8022  
Toll Free 800 394 4083

Entegris®, the Entegris Rings Design®, and other product names are trademarks of Entegris, Inc. as listed on [entegris.com/trademarks](http://entegris.com/trademarks). All third-party product names, logos, and company names are trademarks or registered trademarks of their respective owners. Use of them does not imply any affiliation, sponsorship, or endorsement by the trademark owner.

©2019 Entegris, Inc. | All rights reserved. | Printed in the USA | 4453-10426ENT-1219