



## WAFERGARD® II F MICRO IN-LINE GAS FILTERS

*Superior particulate filtration for  
high-purity gas system filtration*

### Overview

For ultrapure gas systems, your best choice is the Wafergard® II F Micro in-line gas filter with a particle removal rating of  $\geq 0.003 \mu\text{m}$ . Recommended for inert and reactive gases, these filters offer excellent compatibility with all classes of semiconductor process gases. Its compact diameter enables easy installation in cramped gas panels and cabinets.

### Features and Benefits

- Compact footprint with a maximum diameter of 19.05 mm (0.75") allows installation even when space is limited
- Low pressure drop reduces the risk of condensation in low vapor pressure gases
- Cleanroom manufactured, welded and tested for high reliability
- Teflon® PTFE membranes provide high-efficiency filtration



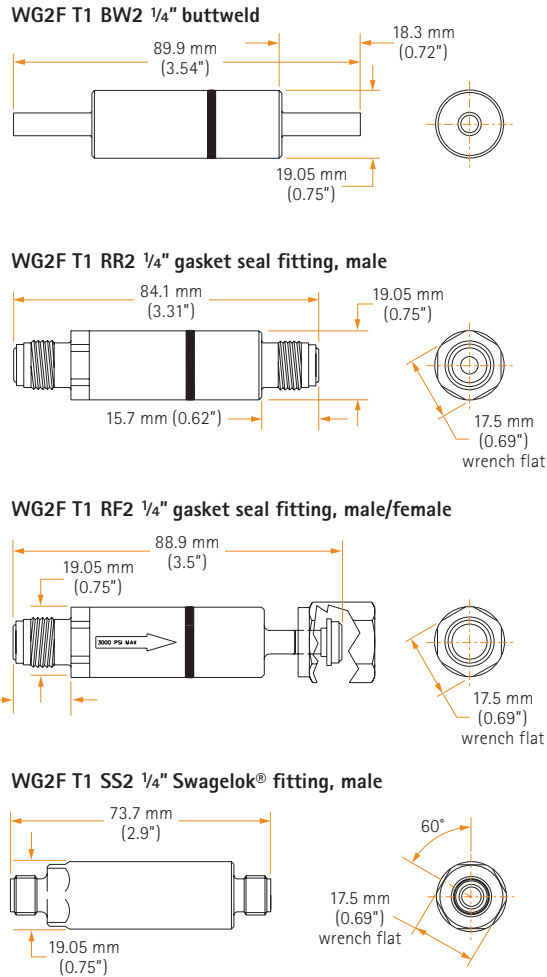
### Applications

- Ozone applications (gas)
- Gas cabinets
- Ultrapure gas systems
- Gas panels
- Inside process tools

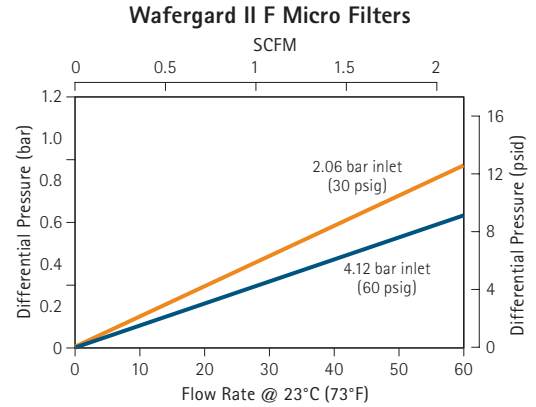
### Specifications

Materials:	Filter element	Hydrophobic Teflon® PTFE membrane supported by molded Teflon PFA structure
	Housing	Electropolished VAR 316L stainless steel
Downstream cleanliness:	Less than 0.03 particles/liter (<1 particle/ft <sup>3</sup> ) greater than 0.01 $\mu\text{m}$	
	Volatiles	<10 ppb moisture
Removal rating:	$\geq 0.003 \mu\text{m}$	
Surface finish interior:	$\leq 7 \mu\text{in Ra}$	
Helium leak rating:	Qualified	$2 \times 10^{-10}$ cc/min
	Tested	$1 \times 10^{-9}$ cc/min
Operating conditions:	Maximum inlet pressure	207 bar (3000 psig) @ 23°C (73°F)
	Maximum forward differential pressure	4 bar (60 psid) @ 23°C (73°F)
	Maximum reverse differential pressure	0.7 bar (10 psid) @ 23°C (73°F)
	Maximum operating temperature	120°C (248°F)
Particle retention:	Greater than 99.9999999% (9 LRV) removal of all particles @ 30 SLPM (referenced at the most penetrating particle size)	
Flow rating:	Refer to performance data	

## Dimensions



## Performance Data



## Ordering Information

Part No.	Fitting Options	Overall Length
WG2FT1BW2	1/4" butt weld tube	89.9 mm
WG2FT1RR2	1/4" gasket seal (compatible with VCR® fitting) male	84.1 mm
WG2FT1RF2	1/4" gasket seal (compatible with VCR fitting) male inlet/female outlet	88.9 mm
WG2FT1SS2	1/4" Swagelok tube fitting male	73.7 mm

## For More Information

Please call your Regional Customer Service Center today to learn what Entegris can do for you. Visit [www.entegris.com](http://www.entegris.com) and select the Customer Service link for the center nearest you.

## Terms and Conditions of Sale

All purchases are subject to Entegris' Terms and Conditions of Sale. To view and print this information, visit [www.entegris.com](http://www.entegris.com) and select the Legal Notices link from the footer.

Entegris®, the Entegris Rings Design®, Creating a Material Advantage® and Wafergard® are registered trademarks of Entegris, Inc. Teflon® is a registered trademark of E.I. duPont de Nemours and Company. VCR® and Swagelok® are registered trademarks of Swagelok Company.

### ENTEGRIS, INC.

Corporate Headquarters | 129 Concord Road | Billerica, MA 01821 USA  
 Customer Service Tel. +1 952 556 4181 | Customer Service Fax +1 952 556 8022  
 In North America 800 394 4083 | [www.entegris.com](http://www.entegris.com)