

Wafergard® III NF-30 In-line Gas Filters

The nickel filter membrane offers superior corrosion resistance

Wafergard® III nickel filters are the cleanest, most efficient all-metal filters available. The patented nickel filter membrane offers superior corrosion resistance and excellent compatibility with inert and reactive gases.

A state-of-the-art housing assembly eliminates outgassing and potential contamination by minimizing weld area. The all-metal construction is ideal for high temperature and dynamic pressure applications. Its compact size and flexible choice of fittings offers design efficiency at minimal cost.

APPLICATIONS

- Bulk Gas Delivery
- Photolithography
- Deposition
- Dry Etch
- Ion Implantation

Note: Not recommended for use with CO, O₃, and low level hydride dopant gases.

FEATURES & BENEFITS

All-metal construction	Provides clean, efficient filtration performance
Patented nickel filter membrane	Offers superior corrosion resistance and excellent chemical compatibility
Innovative housing design	Helps eliminate outgassing and reduces drydown time



Offers excellent compatibility with inert and reactive gases

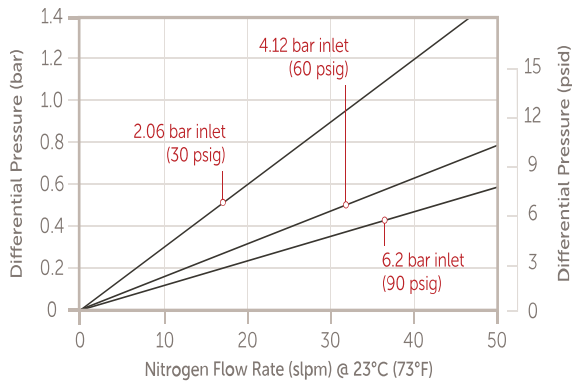
SPECIFICATIONS

Materials	Filter Element: Patented, sintered nickel membrane filter Housing: Electropolished F20 stainless steel housing
Downstream cleanliness	Particles*: Less than 0.03 particles/Liter (less than 1 particle/ft ³) greater than 0.01 µm Volatiles**: Volatile outgassing of H ₂ O, O ₂ , and THC is below detectable limits (by RGA and FID at room temperature)
Removal rating	≥0.0015 µm
Surface finish interior	≤5 µin Ra
Helium leak rate	Qualified: 2 x 10 ⁻¹⁰ cc/min. Tested: 1 x 10 ⁻⁹ cc/min.
Maximum operating conditions	Maximum inlet pressure: 70 bar (1000 PSI) at 100°C Maximum forward/reverse differential pressure: 10 bar (150 psid)
Maximum operating temperature	Inert gases: 400°C at 35 bar (500 psi) Corrosive and reactive gases: 50°C at 70 bar (1000 psi)
Warranty	5 year
Particle retention	Greater than 99.9999999% (9 LRV) removal of all particles at 30 slpm Greater than 99.9999% removal of all particles at 75 SLPM (referenced at the most penetrating particle size).
Flow rate	Refer to flow curve

*Particle cleanliness qualified following SEMASPEC Test Method for Particle Shedding (#93021511A-STD)

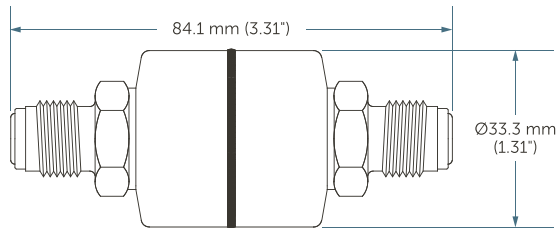
**Volatile cleanliness qualified following SEMASPEC Test Methods for: THC Contribution (#90120396B-STD), Moisture Contribution (#90120397B-STD), Oxygen Contribution (#90120398B-STD)

PERFORMANCE DATA

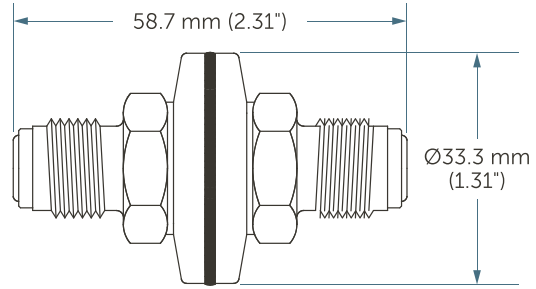


DIMENSIONS

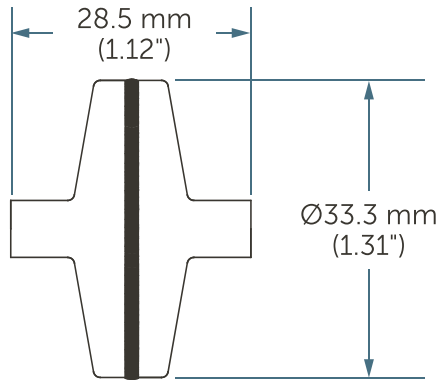
WG3N S6 RR2: 1/4" Gasket Seal, Male



WG3N S6 SL2: 1/4" Gasket Seal (Short), Male



WG3N S3 JJ2: 1/4" Butt Weld



ORDERING INFORMATION

PART NUMBER	FITTING SIZE & TYPE	LENGTH
WG3NS3FF2	1/4" Gasket seal (compatible with VCR fitting) female inlet/outlet	58.4 mm (2.30")
WG3NS3FR2	1/4" Polarized gasket seal (compatible with VCR fitting) female inlet/outlet	71.1 mm (2.80")
WG3NS3JJ2	1/4" Butt weld tube	28.4 mm (1.12")
WG3NS3RF2	1/4" Polarized gasket seal (compatible with VCR fitting) male inlet/outlet	71.1 mm (2.80")
WG3NS3SL2	1/4" Gasket seal (compatible with VCR Fitting) male inlet/outlet, short Version	58.7 mm (2.31")
WG3NS6RR2	1/4" Gasket seal (compatible with VCR Fitting) male inlet/outlet	84.1 mm (3.31")

FOR MORE INFORMATION

Please call your Regional Customer Service Center today to learn what Entegris can do for you. Visit entegris.com and select the [Contact Us](#) link to find the customer service center nearest you.

TERMS AND CONDITIONS OF SALE

All purchases are subject to Entegris' Terms and Conditions of Sale. To view and print this information, visit entegris.com and select the [Terms & Conditions](#) link in the footer.



Corporate Headquarters

129 Concord
Billerica, MA 01821
USA

Customer Service

Tel +1 952 556 4181
Fax +1 952 556 8022
Toll Free 800 394 4083

Entegris®, the Entegris Rings Design®, and other product names are trademarks of Entegris, Inc. as listed on entegris.com/trademarks. All third-party product names, logos, and company names are trademarks or registered trademarks of their respective owners. Use of them does not imply any affiliation, sponsorship, or endorsement by the trademark owner.