

# Wafergard<sup>®</sup> MAX-1000 In-line PTFE Gas Filter

*Provide superior particulate filtration in ultrapure gas applications*

Wafergard<sup>®</sup> MAX-1000 in-line gas filters feature a PTFE membrane supported by a PFA structure and 316L stainless steel housing. Designed with 3x larger filtration area than existing Wafergard MAX-Bronze gas filters, the Wafergard MAX-1000 filter provides superior particulate filtration to minimize pressure drop and to maximize filter lifetime.

Recommended for filtration of SiCl<sub>4</sub>, GeCl<sub>4</sub>, and POCl<sub>3</sub> in optical fiber and silica glass applications.

## APPLICATIONS

- Filtration of SiCl<sub>4</sub>, GeCl<sub>4</sub>, and POCl<sub>3</sub>
- Optical fiber application
- Silica glass application

## FEATURES & BENEFITS

<b>Large filtration area</b>	Provides 3x larger filtration area than Wafergard MAX filters
<b>Same length as current filter</b>	Enables easy implementation without gas panel or delivery system design changes
<b>Filter lifetime 3x longer than Wafergard MAX filters</b>	Reduces total cost of ownership



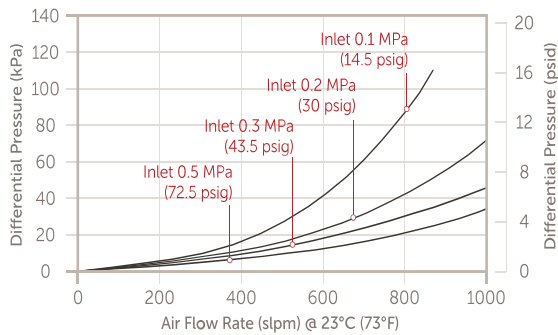
*Superior particulate filtration for optical fiber and silica glass applications*

## SPECIFICATIONS

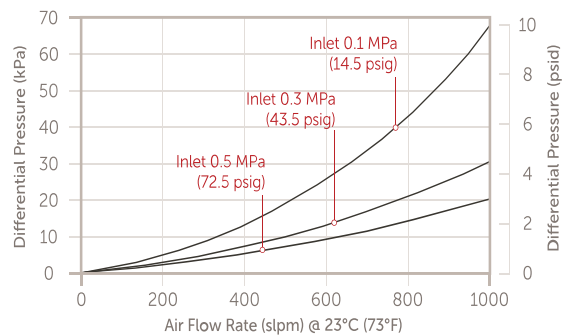
<b>Materials</b>	Membrane	Hydrophobic PTFE membrane supported by molded PFA structures
	Housing	316L stainless steel
	O-ring	Encapsulated fluoroelastomer (E-FKM)
<b>Surface finish interior</b>	$\leq 25 \mu\text{m Ra}$ (RR4, SS4), $\leq 7 \mu\text{m Ra}$ (RR6)	
<b>Removal rating</b>	$\geq 99.9999999\%$ removal of $\geq 0.0015 \mu\text{m}$ particles in gas	
<b>Downstream cleanliness</b>	$< 0.03$ particles/liter ( $< 1$ particle/ft <sup>3</sup> ) $> 0.01 \mu\text{m}$	
<b>Maximum operating conditions</b>	Maximum inlet pressure	37 bar (538 psig)
	Maximum forward differential pressure	3.9 bar (57 psig)
	Maximum reverse differential pressure	2.5 bar (36 psid)/RR4, SS4 0.5 bar (7 psid)/RR6
	Maximum operating temperature	120°C (248°F)
<b>Helium leak rating</b>	$1 \times 10^{-10} \text{ Pa}\cdot\text{m}^3/\text{sec}$	
<b>Warranty</b>	1 year	

## PERFORMANCE DATA

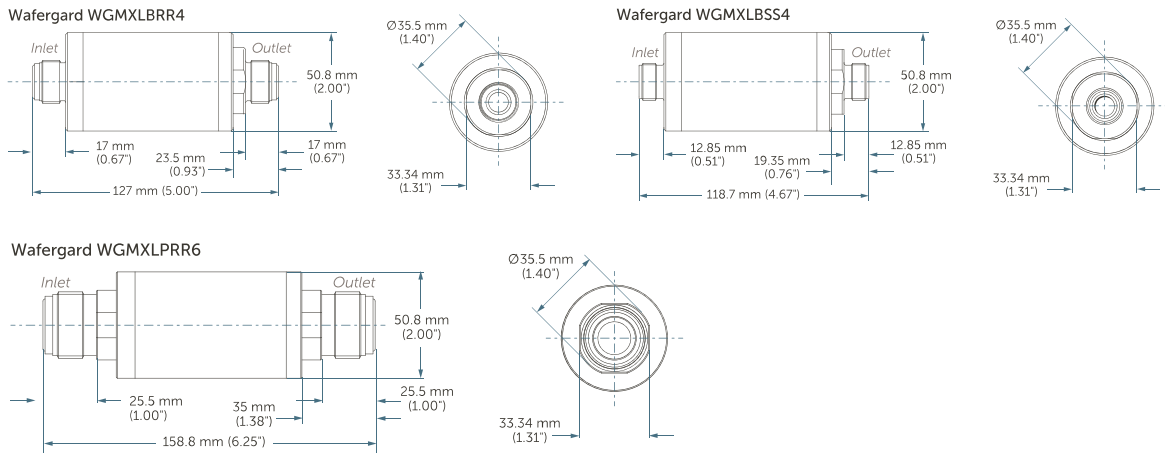
Wafergard MAX-1000 (1/2" Fittings)



Wafergard MAX-1000 (3/4" Fittings)



## DIMENSIONS



## ORDERING INFORMATION

PART NUMBER	FITTING SIZE & TYPE	LENGTH
WGMXLBRR4	1/2" gasket seal (VCR® compatible), male inlet/outlet	127.0 mm (5.0")
WGMXLBSS4	1/2" compression seal (Swagelok® compatible), male inlet/outlet	118.7 mm (4.67")
WGMXLPRR6	3/4" gasket seal (compatible with VCR® fitting), male inlet/outlet	158.8 mm (6.25")

## FOR MORE INFORMATION

Please call your Regional Customer Service Center today to learn what Entegris can do for you. Visit [entegris.com](http://entegris.com) and select the [Contact Us](#) link to find the customer service center nearest you.

## TERMS AND CONDITIONS OF SALE

All purchases are subject to Entegris' Terms and Conditions of Sale. To view and print this information, visit [entegris.com](http://entegris.com) and select the [Terms & Conditions](#) link in the footer.



Corporate Headquarters  
129 Concord  
Billerica, MA 01821  
USA

Customer Service  
Tel +1 952 556 4181  
Fax +1 952 556 8022  
Toll Free 800 394 4083

Entegris®, the Entegris Rings Design®, and other product names are trademarks of Entegris, Inc. as listed on [entegris.com/trademarks](http://entegris.com/trademarks). All third-party product names, logos, and company names are trademarks or registered trademarks of their respective owners. Use of them does not imply any affiliation, sponsorship, or endorsement by the trademark owner.

©2010-2021 Entegris, Inc. | All rights reserved. | Printed in the USA | 4524-6007ENT-0421