

Wafergard[®] MAX HT In-line Gas Filters

Offer superior particulate filtration in high-temperature applications

Wafergard[®] MAX HT in-line gas filters offer excellent filtration in high-temperature applications (120 – 200°C [248 – 392°F]) for vaporized materials such as liquid/solid precursors; TEOS for BEOL, high-k materials for FEOL, and hot N₂ purge for wet cleaning/drying. This durable filter is highly recommended for high-temperature gas filtration semiconductor process equipment applications.

APPLICATIONS

- Point-of-use filter for CVD tools
- High-temperature applications like TEOS and high-k
- Hot N₂ applications

FEATURES & BENEFITS

Durable, electropolished stainless steel housing	Enables use in high-temperature (up to 200°C [392°F]) TEOs and high-k applications
Low differential pressure	Provides stable and improved material delivery
Compact form (127 mm [5"] length)	Fits many existing delivery systems and is easy to design into new systems
Overall design is 148 mm (5.82")	Is a drop-in replacement for similar filters, simplifying installation
Special baking manufacturing process	Enables rapid gas delivery startup

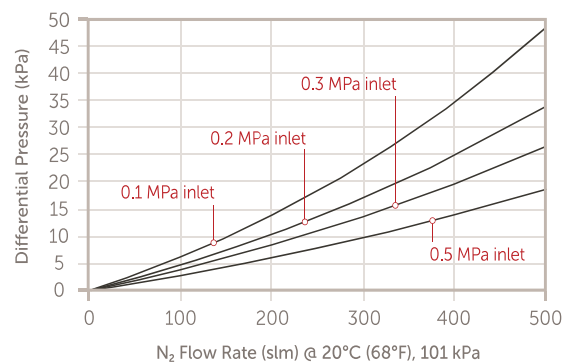
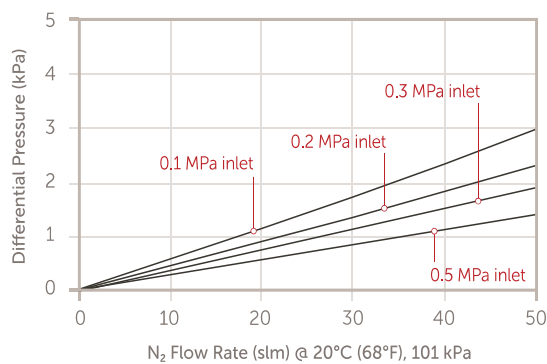


Recommended for high-temperature gas filtration applications

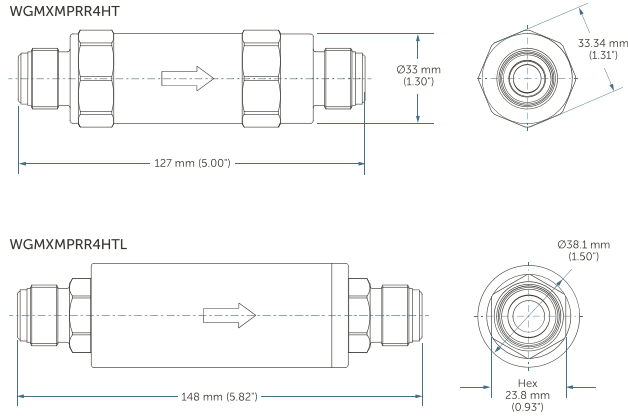
SPECIFICATIONS

Materials	Membrane	PTFE
	Support	PFA
	Housing	316L stainless steel
Removal particle rating	≥0.0015 μm	
Particle retention	≥99.9999999% @ 25°C (77°F)	
Initial downstream cleanliness	≤0.03 particles/liter greater than 0.01 μm	
Internal surface finish	≤7 μin Ra (Ra <0.17 μm)	
Connections	1/2" gasket seal male (VCR® compatible)	
Operating conditions	Maximum operating pressure	0.99 MPa (9.9 bar; 143.15 psig) @ 0° to 200°C (0° to 392°F)
	Maximum forward differential pressure	0.70 MPa (7 bar; 101.5 psid) @ 0° to 40°C (0° to 104°F)
		0.08 MPa (0.8 bar; 11.6 psid) @ 200°C (392°F)
	Maximum operating temperature	200°C (392°F) in inert gases
Helium leak rating	<1 x 10 ⁻¹⁰ Pa•m ³ /sec	
Flow rating	Refer to performance data	

PERFORMANCE DATA



DIMENSIONS



ORDERING INFORMATION

PART NUMBER	LENGTH
WGMXMPPRR4HT	127 mm (5.00")
WGMXMPPRR4HTL	148 mm (5.83")

FOR MORE INFORMATION

Please call your Regional Customer Service Center today to learn what Entegris can do for you. Visit entegris.com and select the [Contact Us](#) link to find the customer service center nearest you.

TERMS AND CONDITIONS OF SALE

All purchases are subject to Entegris' Terms and Conditions of Sale. To view and print this information, visit entegris.com and select the [Terms & Conditions](#) link in the footer.



Corporate Headquarters
129 Concord
Billerica, MA 01821
USA

Customer Service
Tel +1 952 556 4181
Fax +1 952 556 8022
Toll Free 800 394 4083

Entegris®, the Entegris Rings Design®, and other product names are trademarks of Entegris, Inc. as listed on entegris.com/trademarks. All third-party product names, logos, and company names are trademarks or registered trademarks of their respective owners. Use of them does not imply any affiliation, sponsorship, or endorsement by the trademark owner.