



## EXTREME ULTRAVIOLET RETICLE POD

*Enabling EUV lithography for advanced  
technology process nodes*

### Overview

Entegris' extreme ultraviolet (EUV) reticle pod is designed to provide defect-free protection of EUV reticles during shipping, storage, handling and vacuum-transferring operations. Designed with OEM and customer collaboration, the EUV pod interfaces with production equipment such as metrology tools, scanners and stockers. In addition to its automation compatibility, it is compliant with SEMI® Standard E152.

The dual pod design offers an inner and outer shell to maintain a contamination free environment. This fourth generation product incorporates improvements based on our experience as the leader in EUV reticle handling.



### Features

- Patented dual pod design secures reticle for transport and provides reticle protection in a vacuum environment
- SEMI E152 compliant and ensures maximum equipment interoperability
- Molded-in barcode improves reticle pod cleanliness by eliminating adhesives

#### Standard

- Purge ports
- RFID transponder (134.2 Khz)
- Serialization of each component

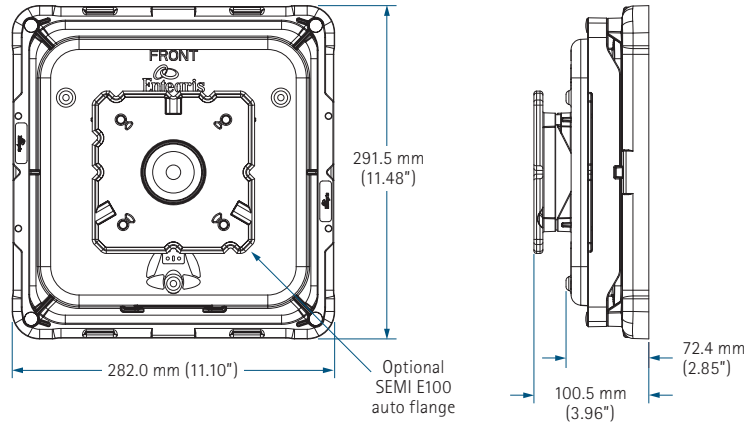
#### Available

- Pellicle capable versions available
- RFID programming
- Two dimensional barcode
- Top automation flange
- Color-coded side automation flanges for easy identification

### Specifications

Reticle size:	152 mm × 152 mm × 6.35 mm (6" × 6" × 0.25") per SEMI P37	
Reticle orientation:	Pattern side down	
Reticle capacity:	1	
SEMI specification:	Compatible with SEMI E152	
Mass:	Outer pod	Approximately 2.1 kg
	Outer pod w/AK handle	Approximately 2.2 kg
	Inner pod	Approximately 1.1 kg

## Dimensions



## Ordering Information

Part Number	Inner Pod Type	Pellicle Pocket	OHT Handle
EUV-1008A-111	A	No	No
EUV-1008A-121	A	No	Yes
EUV-1008P-111	P	Yes	No
EUV-1008P-121	P	Yes	Yes

## For More Information

Please call your Regional Customer Service Center today to learn what Entegris can do for you. Visit [www.entegris.com](http://www.entegris.com) and select the Customer Service link for the center nearest you.

## Terms and Conditions of Sale

All purchases are subject to Entegris' Terms and Conditions of Sale. To view and print this information, visit [www.entegris.com](http://www.entegris.com) and select the Legal Notices link from the footer.

Entegris®, the Entegris Rings Design® and Creating a Material Advantage® are trademarks of Entegris, Inc. SEMI® is a registered trademark of Semiconductor Equipment and Materials International Company.

### ENTEGRIS, INC.

Corporate Headquarters | 129 Concord Road | Billerica, MA 01821 USA  
 Customer Service Tel. +1 952 556 4181 | Customer Service Fax +1 952 556 8022  
 In North America 800 394 4083 | [www.entegris.com](http://www.entegris.com)