

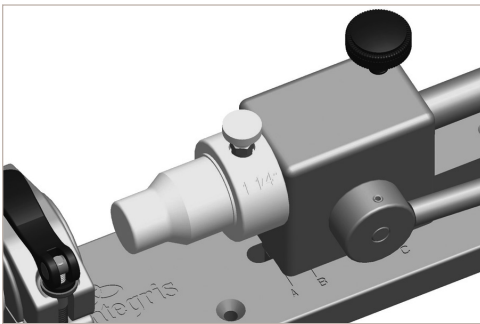
PrimeLock[®] Fitting Bench Top Insertion Tool

*Insert installation instructions for
1¼" and 1½" sizes*

INSTRUCTIONS

PrimeLock[®] Fitting

1. Verify the tool is properly set up. Lift the black knob and move to position "A". Release the knob.

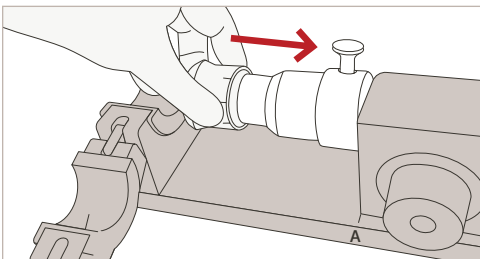


- A. The nut resides on the outside of the clamp.
- B. The nut resides between the clamp and the mandrel.
- C. Minimum tube unions used to install insert in second side.

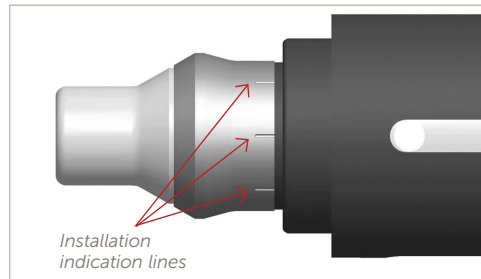
2. Verify the correct size mandrel and clamp inserts are installed for the desired tube size. Refer to the table on page 4.

NOTE: The mandrel is removed by pulling the retaining pin and sliding it off the tool. Clamp inserts are removed by pulling them out of the clamp assembly.

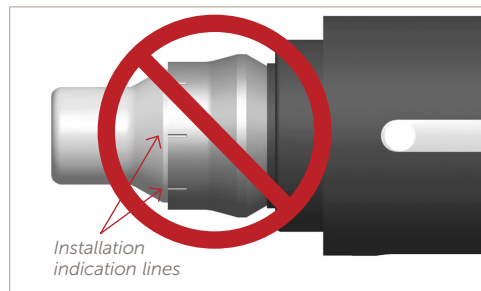
3. Slide the insert onto the mandrel as shown.



4. Verify the insert has been properly placed onto the mandrel. The installation indication lines on the insert are closest to the shoulder of the mandrel.

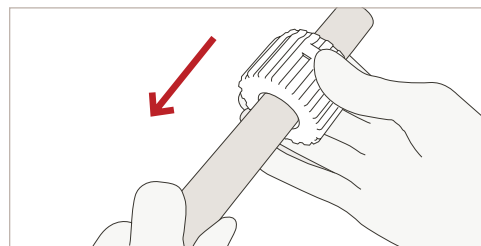


Correct installation of insert.

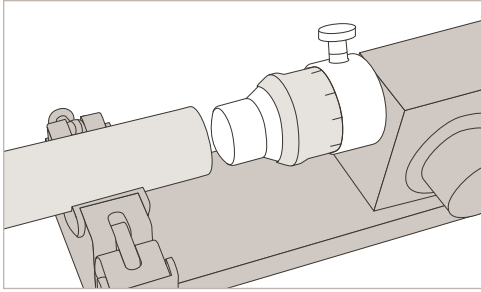


Incorrect installation of insert.

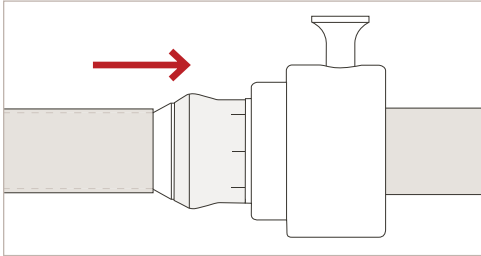
5. Insert the cut end of the tubing through the PrimeLock nut



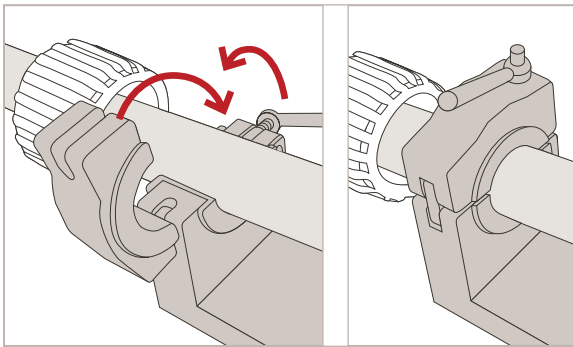
6. Slide the tubing assembly into the clamp.



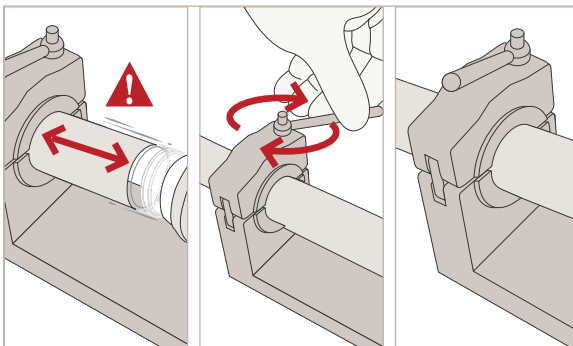
7. Slide the tube onto the mandrel until it stops.



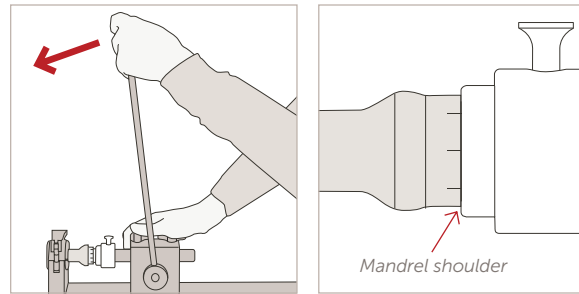
8. Clamp the tube in place.



9. If the tubing is not held firmly, readjust the clamping mechanisms to increase the tube clamping force.

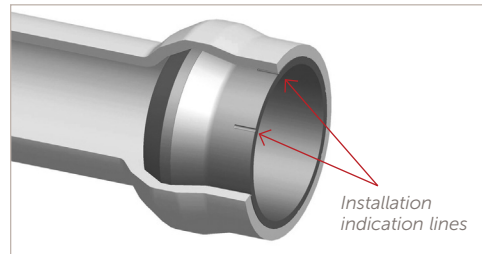


10. Rotate the handle, driving the insert into the tube until the tube contacts the mandrel shoulder.

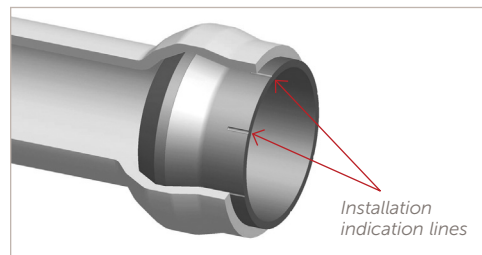


11. Retract the handle when the insert is installed into the tube. Unclamp the tube.

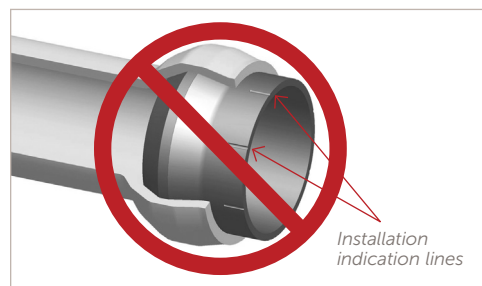
12. Verify the insert has been properly installed into the end of the tube. The insert has molded indication lines for gauging proper installation in the tube. For correct installation, the tubing will cover all or at least a portion of the indication lines. The insert does not need to be pushed fully into the tube.



Correct installation of insert.

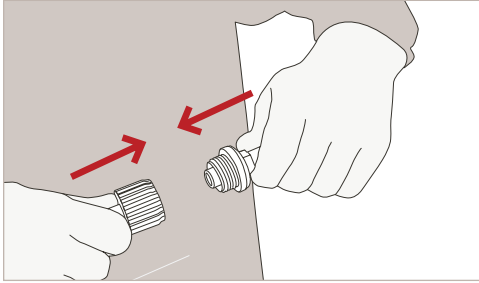


Correct installation of insert.

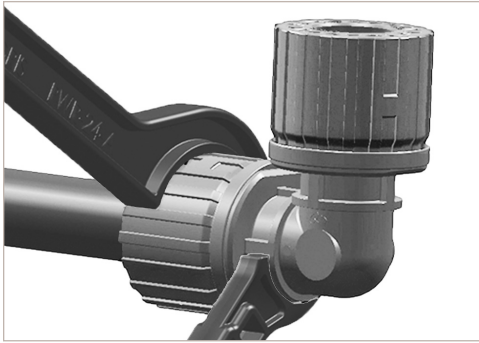


Incorrect installation of insert.

13. Slide the assembly onto the fitting and hand-tighten the nut.

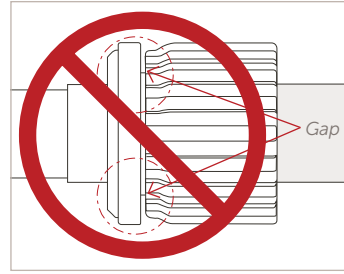


14. Place the PrimeLock wrench over the ribs of the fitting nut and rotate clockwise. Tighten the nut until the connection verification ring creates an audible click or the leading edge of the nut travels under the connection verification ring.

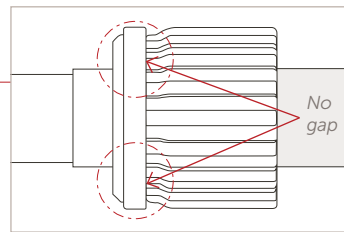


NOTE: Do not overtighten to the point where the nut bottoms out on the fitting body.

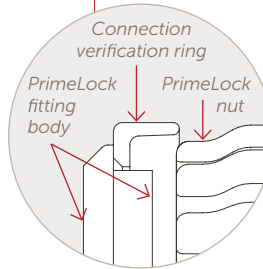
15. If there is excessive background noise, the connection can be verified by looking at the position of the connection verification ring relative to the nut.



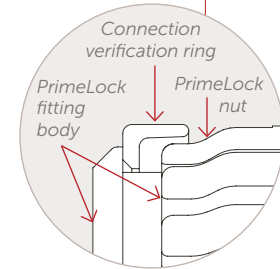
Incorrect tightening of the fitting – additional tightening required.



Correct tightening of the fitting.



Initial tightening of the fitting – nut travels underneath connection verification ring.



Maximum tightening limit – nut bottoms out on the fitting body.

- ⚠ CAUTION:** Do not retighten the fitting while the fitting assembly is above 30°C (86°F) or in a pressurized condition.

When reassembling the fitting, tighten the nut beyond the initial tightening position.

PRIMELOCK INSERT INSTALLATION TOOLS

Part number	Description	Tubing size
PBNCH-TOOL-L2	Tool — Bench top	1¼", 1½"
PMND-20	Mandrel	1¼"
PMND-24	Mandrel	1½"
PMND-20-B	Mandrel — directional sleeve*	1¼"
PMND-24-B	Mandrel — directional sleeve*	1½"
PMTMND-20	Mandrel — minimum tube	1¼"
PMTMND-24	Mandrel — minimum tube	1½"
PCLMP-20	Clamp insert	1¼"
PCLMP-24	Clamp insert	1½"
PCLMP-20-R	Clamp insert — EPDM-lined**	1¼"
PCLMP-24-R	Clamp insert — EPDM-lined**	1½"
PWR-20	Wrench	1¼"
PWR-24-A***	Wrench	1½"
PWR-24-B***	Wrench	1½"
PWR-24-SET	Wrench — PWR-24-A and PWR-24-B	1½"

*Prevents backwards installation of insert.

**Eliminates clamp marks on tubing.

***Two PWR-24-A or PWR-24-B or combination thereof are required to assemble 1½" size fittings.

FOR MORE INFORMATION

Please call your Regional Customer Service Center today to learn what Entegris can do for you. Visit entegris.com and select the Contact Us link to find the customer service center nearest you.

TERMS AND CONDITIONS OF SALE

All purchases are subject to Entegris' Terms and Conditions of Sale. To view and print this information, visit entegris.com and select the Terms & Conditions link in the footer.



Corporate Headquarters
129 Concord Road
Billerica, MA 01821
USA

Customer Service
Tel +1 952 556 4181
Fax +1 952 556 8022
Toll Free 800 394 4083

Entegris®, the Entegris Rings Design™, Pure Advantage™ and PrimeLock® are trademarks of Entegris, Inc.
©2012-2017 Entegris, Inc. | All rights reserved. | Printed in the USA | 3110-7241ENT-0317