

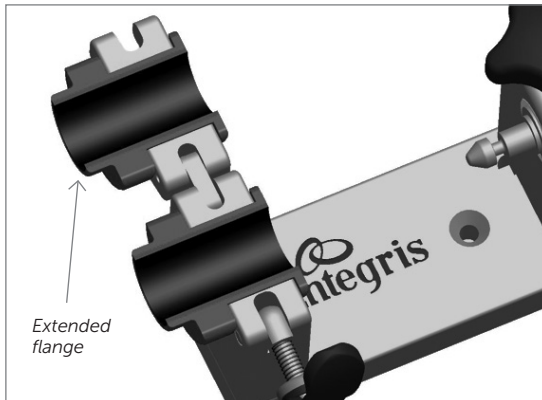
PrimeLock® Lined Clamp Inserts

Installation instructions for 1/4", 3/8", 1/2", 3/4", 1", 1 1/4", 1 1/2", and 40 mm sizes

Lined clamp inserts prevent surface marks from developing on the tubing even though tests have proven that marks do not cause mechanical or performance issues.

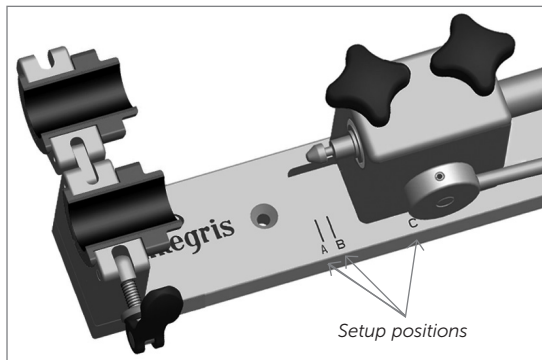
INSERT INSTALLATION

1. Position the clamp inserts with the extended flange on the outside of the tool.



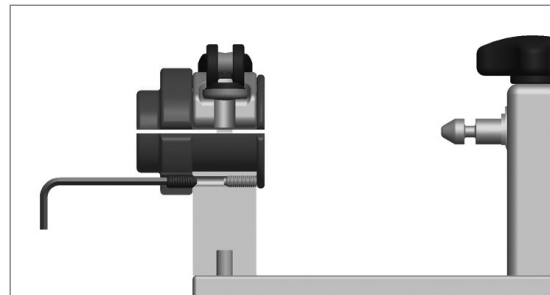
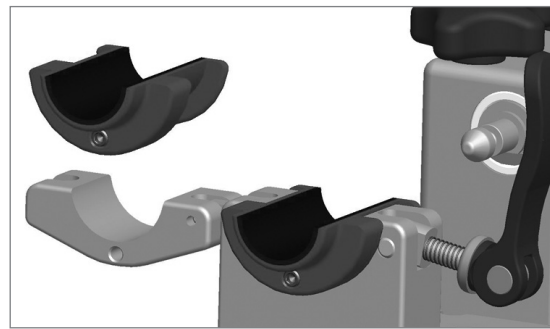
Preferred installation of lined clamp inserts.

2. If space is restricted, the extended flange may be positioned on the inside of the tool. However, tool setup positions A, B, or C cannot be used.



Installation of lined clamp inserts for special space requirements.

3. Snap the clamp insert into the clamp assembly.



4. Tighten the set screw with a 3 mm Allen wrench. This will prevent the clamp inserts from sticking to the tubing when you open up the clamps.

NOTE: To prevent the tubing from slipping in the clamps during installation ensure tubing and clamp inserts are clean and void of contaminants.

PRIMELOCK INSERT INSTALLATION TOOLS

A complete set of tools is available on our website. Please visit PrimeLock Accessories on www.entegris.com.

FOR MORE INFORMATION

Please call your Regional Customer Service Center today to learn what Entegris can do for you. Visit entegris.com and select the Contact Us link to find the customer service center nearest you.

TERMS AND CONDITIONS OF SALE

All purchases are subject to Entegris' Terms and Conditions of Sale. To view and print this information, visit entegris.com and select the Terms & Conditions link in the footer.



Corporate Headquarters
129 Concord Road
Billerica, MA 01821
USA

Customer Service
Tel +1 952 556 4181
Fax +1 952 556 8022
Toll Free 800 394 4083

Entegris®, the Entegris Rings Design™, Pure Advantage™, and other product names are trademarks of Entegris, Inc. as listed on entegris.com/trademarks. All third-party product names, logos, and company names are trademarks or registered trademarks of their respective owners. Use of them does not imply any affiliation, sponsorship, or endorsement by the trademark owner.

©2012-2018 Entegris, Inc. | All rights reserved. | Printed in the USA | 3110-7178ENT-0218