

# NT<sup>®</sup> Pressure Transducer for Vacuum Applications

## *User Guide*



# Table of Contents

<b>Introduction</b> .....	<b>2</b>	<b>Troubleshooting</b> .....	<b>12</b>
<b>Ordering Information</b> .....	<b>3</b>	<b>Reference</b> .....	<b>13</b>
Identifying Nonstandard Product Configurations .....	5	Physical Specifications .....	13
<b>Installation</b> .....	<b>6</b>	Electrical Specifications .....	13
Mechanical Installation .....	6	Performance Specifications .....	13
Electrical Installation .....	7	<b>Certifications</b> .....	<b>14</b>
Power Supply Requirements .....	8	CE Compliance .....	14
Load Resistance: Current Output .....	9	<b>Installation Drawings</b> .....	<b>15</b>
<b>Unit Operation</b> .....	<b>10</b>	<b>For More Information</b> .....	<b>21</b>
Operating Environment .....	10	<b>Terms and Conditions of Sale</b> ....	<b>21</b>
Process Connections .....	10	<b>Limited Warranty</b> .....	<b>21</b>
Pressure Transducer Cover Assembly .....	10		
Temperature Requirements .....	10		
Pressure Limits .....	10		
Pressure Reference Accuracy .....	10		
Linear Output Signal .....	11		

# Introduction

This manual is for use with NT® Pressure Transducers for vacuum applications, single-port and flow-through models 4150 and 4250. These instruments have been designed for use in high purity applications in the semiconductor industry and are compatible with highly corrosive processes.

These products feature no moving parts and no filled cavities, which reduces the possibility of a contaminated process. The wetted parts of these nonmetallic transducers are constructed with PTFE, sapphire or other similar high purity inert materials.

# Ordering Information

<b>CODE</b>	<b>BASE MODEL</b>
4150	Single-Port Vacuum Pressure Transducer

<b>CODE</b>	<b>PRESSURE RANGE</b>
030V	-12 to 30 psig (-83 to 207 kPa)
060V	-12 to 60 psig (-83 to 414 kPa)
100V	-12 to 100 psig (-83 to 690 kPa)

<b>CODE</b>	<b>INLET/OUTLET PORT CONNECTION TYPE</b>
F02	¼" Flaretek®
F03	⅜" Flaretek
F04	½" Flaretek
N02	¼" FNPT
N04	½" FNPT
M02	¼" MNPT

<b>CODE</b>	<b>ELECTRICAL CONNECTOR TYPE</b>
B06	FEP-jacketed 6' pigtail electrical cable
B12	FEP-jacketed 12' pigtail electrical cable
B30	FEP-jacketed 30' pigtail electrical cable
D00	3-pin polypropylene connector
D06	3-pin polypropylene connector and 6' PVC-jacketed mating cable
D12	3-pin polypropylene connector and 12' PVC-jacketed mating cable
D30	3-pin polypropylene connector and 30' PVC-jacketed mating cable

<b>CODE</b>	<b>ELECTRICAL OUTPUTS</b>
A	4-20 mA (12-28 VDC input)

<b>CODE</b>	<b>PRIMARY/SECONDARY SEAL</b>
U3	Perfrez PXC Ultra/Viton
S3	Perfrez PXC Ultra/Perfrez PXC Ultra

<b>CODE</b>	<b>BASE MODEL</b>
4250	Flow-Through Vacuum Pressure Transducer

<b>CODE</b>	<b>PRESSURE RANGE</b>
030V	-12 to 30 psig (-83 to 207 kPa)
060V	-12 to 60 psig (-83 to 414 kPa)
100V	-12 to 100 psig (-83 to 650 kPa)

<b>CODE</b>	<b>INLET/OUTLET PORT CONNECTION TYPE</b>
F02	¼" Flaretek
F03	⅜" Flaretek
F04	½" Flaretek
F06	¾" Flaretek
F08	1" Flaretek (030G, 060G types only)

<b>CODE</b>	<b>ELECTRICAL CONNECTOR TYPE</b>
B06	FEP-jacketed 6' pigtail electrical cable
B12	FEP-jacketed 12' pigtail electrical cable
B30	FEP-jacketed 30' pigtail electrical cable
D00	3-pin polypropylene connector
D06	3-pin polypropylene connector and 6' PVC-jacketed mating cable
D12	3-pin polypropylene connector and 12' PVC-jacketed mating cable
D30	3-pin polypropylene connector and 30' PVC-jacketed mating cable

<b>CODE</b>	<b>ELECTRICAL OUTPUTS</b>
A	4-20 mA (12-28 VDC input)

<b>CODE</b>	<b>PRIMARY/SECONDARY SEAL</b>
U3	Perfrez PXC Ultra/Viton
S3	Perfrez PXC Ultra/Perfrez PXC Ultra

## IDENTIFYING NONSTANDARD PRODUCT CONFIGURATIONS

This User Guide applies to product manufactured as standard NT Pressure Transducers single-port and flow-through models 4150 and 4250. Entegris also manufactures nonstandard product to meet the needs of specific applications.

Nonstandard product may have different materials of construction, accuracy specifications, performance and other specifications that differentiate the nonstandard product from the standard offering.

**NOTE: Nonstandard pressure transducers may be identified by the model number found on the product label.**

Nonstandard **single-port pressure transducers**, model 4150 product line, are identified with a "P" followed by a number code.

For example, part number

4150-030V-F02-B06-A-**P04**

the "P04" designates the product as a nonstandard product manufactured to certain specifications designated under the "P04" code.

Nonstandard **flow-through pressure transducers**, model 4250 product line, are identified with a "T" followed by a number code.

For example, part number

4250-030V-F02-B06-A-**T02**

the "T02" designates the product as a nonstandard product manufactured to certain specifications designated under the "T02" code.

# Installation

**⚠ CAUTION!** The NT Pressure Transducer has been factory sealed. Do not attempt to remove the cover of the pressure transducer. Any attempt at removal of the pressure transducer cover will void the warranty and damage the unit.

**⚠ CAUTION!** Do not tighten the nuts that protect the process connections during shipment. Do not tighten the nuts unless the proper tubing has been installed. Tightening these nuts may result in damage to the pressure transducer process connections.

## MECHANICAL INSTALLATION

NT Pressure Transducers utilize Flaretek® flared tube connections and must be used with the proper tubing size and coupling nut.

When installing flared tubing to the pressure transducer, the flared tube is pushed over the transducer's fitting until the fitting reaches the smaller tube diameter. The amount of torque required to tighten the coupling nut is dependent upon the size of the fitting.

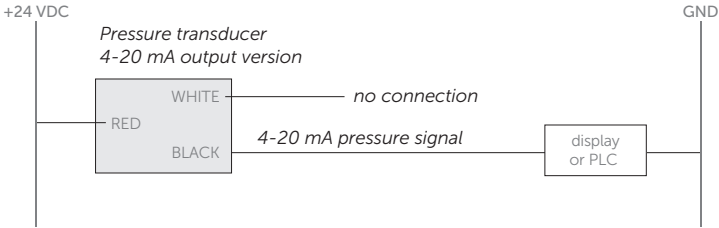
Fitting size	1/4"	3/8"	1/2"	3/4"	1"
Torque (in•lb)	5	8	11	14	30

Care should be taken when installing flared tubing onto the pressure transducer. Do not use excessive torque or subject the transducer to high heat during installation. The transducer should be firmly mounted to a solid surface to ensure stability. Verify that the pressure transducer and the signal cable are free from mechanical stress or excessive bending from the surrounding equipment.

## ELECTRICAL INSTALLATION

The pressure transducer provides an analog (4-20 mA) electrical output proportional to the pressure measured.

**NOTE: The white wire is not required, please refer to the wiring diagram below.**





## POWER SUPPLY REQUIREMENTS

The pressure transducer requires a 12-28 volt DC power supply with less than 2% ripple at 100 or 120 Hz. The required power supply voltage varies with the load resistance ( $R_{Load}$ ), please refer to the diagrams below and the formulas on page 9.

The power supply must provide clean power and must be used only to power similar measurement-type devices. The power supply must not be used to power inductive loads, such as motors, relays or solenoids. These devices may produce transients that may affect the pressure transducer measurements when the inductive device is powered-up or powered down.

**NOTE: Be sure to ground the shield of the cable to local ground.**

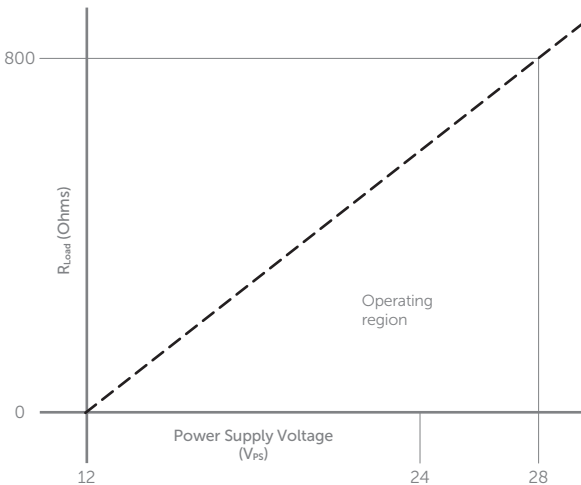


Figure 1. Power Required for a 4-20 mA Loop

## LOAD RESISTANCE: CURRENT OUTPUT

### (4-20 mA Configuration)

If a load resistor,  $R_{Load}$ , is used in series with the current output, the value of  $R_{Load}$  is dependent on the supply voltage and the meter resistance and is calculated from the following formula.

$$R_{Load} = \frac{V_{PS} - 12 \text{ V}}{0.020\text{A}} - (R_{meter} + R_{wire})$$

where:

$R_{Load}$  = maximum load resistance  
(ohms)

$V_{PS}$  = power supply voltage (volts)

$R_{meter}$  = meter resistance (ohms)  
(typically not used, therefore  
 $R_{meter} = 0$ )

$R_{wire}$  = resistance of  
interconnecting wire

# Unit Operation

## OPERATING ENVIRONMENT

The pressure transducer is to be mounted in a well vented and controlled environment. Refer to the Reference section on page 13 for additional specifications.

## PROCESS CONNECTIONS

To avoid possible pressure leaks, make sure all process connections have been performed in accordance with the Mechanical Installation guidelines on page 6.

## PRESSURE TRANSDUCER COVER ASSEMBLY

NT Pressure Transducer covers are factory sealed and should not be tampered with or opened. Opening the cover shall void the product warranty.

**NOTE: Any attempt to remove or tamper with the transducer cover will void the warranty and damage the unit.**

## TEMPERATURE REQUIREMENTS

The pressure transducer is rated for use with fluids at process temperatures between 10° to 35°C (50° to 95°F) under normal operating conditions.

## PRESSURE LIMITS

TRANSDUCER RANGE	MAX. PRESSURE LIMIT @ 23°C (73°F)
-12 to 30 psig (-83 to 207 kPa)	45 psig (310 kPa)
-12 to 60 psig (-83 to 414 kPa)	90 psig (621 kPa)
-12 to 100 psig (-83 to 690 kPa)	150 psig (1034 kPa)

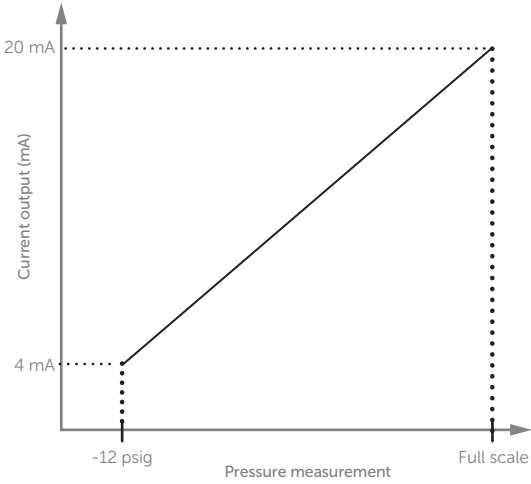
**⚠ WARNING! The pressure limits for NT Pressure Transducers models 4150 and 4250 decrease significantly for temperatures above 35°C (95°F) Please consult the factory.**

## PRESSURE REFERENCE ACCURACY

The accuracy of the pressure transducer output is  $\pm 1\%$  of span. For example, a -12 to 30 psig ranged pressure transducer has a span of 42 psig and an accuracy of  $\pm 0.42$  psig. This accuracy includes the effects of linearity, hysteresis and repeatability, measured at room temperature.

### LINEAR OUTPUT SIGNAL

The output signal of the NT Pressure Transducer is a linear function proportional to the applied pressure.



# Troubleshooting

Troubleshooting the NT Pressure Transducers may be accomplished by measuring the output signal of the pressure transducer with a battery powered current/voltage meter. The meter may be placed in series with the pressure transducer to measure the current output or it may be used to directly measure the voltage output.

Using the battery powered current/volt meter is an effective method to determine whether the device or the on-site data acquisition system is not functioning properly.

## Reference

The following lists the specifications for NT Pressure Transducers, models 4150 and 4250. Consult the factory for product specifications manufactured for nonstandard applications.

**NOTE: Specifications are subject to change without notice. Please consult the factory for the most current information.**

### PHYSICAL SPECIFICATIONS

#### CONSTRUCTION MATERIALS

##### Wetted parts

Body:	PTFE
Sensor interface:	Sapphire
O-ring:	Kalrez 4079, Kalrez 1050 or Perfrez PXC Ultra

<b>Nonwetted parts</b>	Polypropylene, polyethylene and PVDF (In addition to materials listed above)
------------------------	---

<b>Connection type</b>	Flaretek
------------------------	----------

### ELECTRICAL SPECIFICATIONS

<b>Input power</b>	24 VDC (12-28 VDC)
--------------------	--------------------

<b>Pressure signal output ranges</b>	4-20 mA
--------------------------------------	---------

<b>Electrical connection</b>	6', 12', 30' FEP-coated pigtail or polypropylene 3-pin connector with PVC cable
------------------------------	--

### PERFORMANCE SPECIFICATIONS

<b>Reference accuracy</b>	±1% of span (includes linearity, hysteresis and repeatability) at 23°C (73°F)
---------------------------	---

<b>Process temperature</b>	10° to 35°C (50° to 95°F)
----------------------------	---------------------------

## Certifications

### CE COMPLIANCE

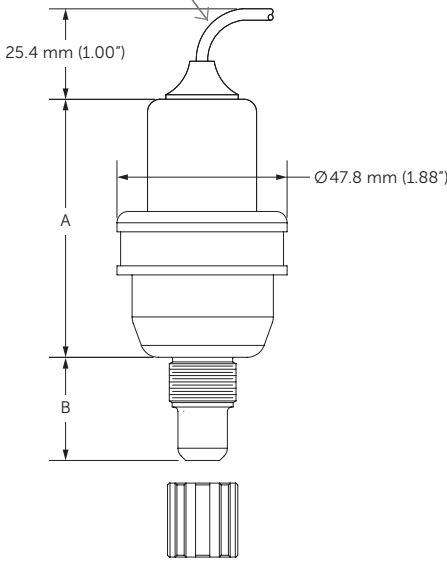
Entegris products have been tested to various test standards required by the EMC 89/336/EEC directive. The results of this testing are on file at Entegris and are available upon request.

Please contact the factory for the latest information. The most current specifications may be found on the Internet at: [http://www.nt-intl.com/ce\\_etl-info.cfm](http://www.nt-intl.com/ce_etl-info.cfm).

# Installation Drawings

## 4150 FEP-Jacketed Electrical Cable Connection, Single-Port

3 conductor Teflon®-jacketed cable,  
pigtail connection (BXX)  
(Cable length up to 30 feet)



### Electrical Connector Information

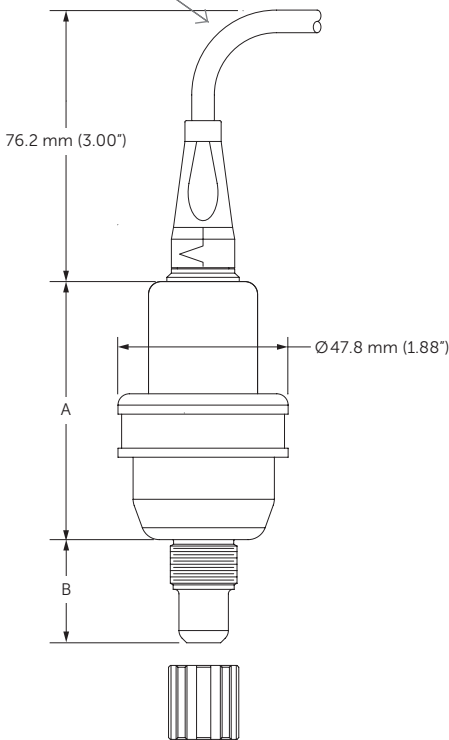
WIRE	4-20 mA OUTPUT VERSION
Red	24 VDC (+) 4-20 mA
Black	Ground (-) 4-20 mA
White	Not used

INLET/OUTLET PORT CONNECTION	A	B
¼" Flaretek	73.7 mm (2.90")	25.2 mm (0.99")
⅜" Flaretek	73.7 mm (2.90")	26.9 mm (1.06")
½" Flaretek	73.7 mm (2.90")	29.0 mm (1.14")



4150 Polypropylene Connector Connection, Single-Port

3 conductor connector/cable (dxx)  
(Cable length up to 30 feet)



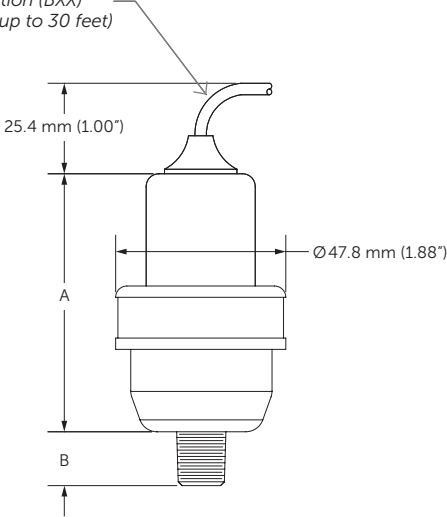
Electrical Connector Information

WIRE	4-20 mA OUTPUT VERSION
Black	Ground (-) 4-20 mA
Red	24 VDC (+) 4-20 mA
White	Not used

INLET/OUTLET PORT CONNECTION	A	B
¼" Flaretek	73.7 mm (2.90")	25.2 mm (0.99")
⅜" Flaretek	73.7 mm (2.90")	26.9 mm (1.06")
½" Flaretek	73.7 mm (2.90")	29.0 mm (1.14")

4150 FEP-Jacketed Electrical Cable Connection, Single-Port (NPT version)

3 conductor Teflon®-jacketed cable,  
pigtail connection (BXX)  
(Cable length up to 30 feet)



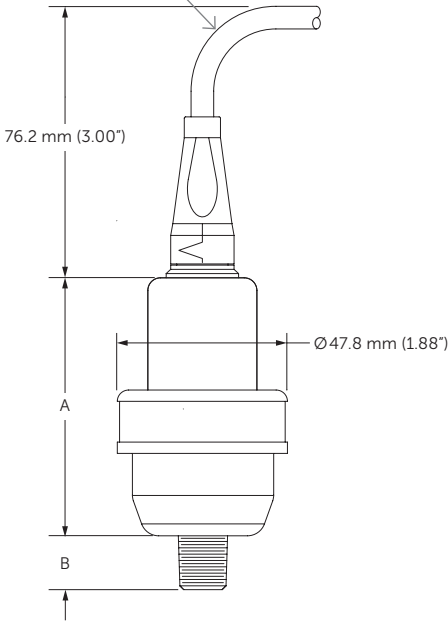
Electrical Connector Information

WIRE	4-20 mA OUTPUT VERSION
Red	24 VDC (+) 4-20 mA
Black	Ground (-) 4-20 mA
White	Not used

INLET/OUTLET PORT CONNECTION	A	B
¼" MNPT MALE	73.7 mm (2.90")	15.0 mm (0.59")
¼" FNPT FEMALE	82.3 mm (3.24")	–
½" FNPT FEMALE	88.9 mm (3.50")	–

4150 FEP-Jacketed Electrical Cable Connection, Single-Port (NPT version)

3 conductor connector/cable (dxx)  
(Cable length up to 30 feet)

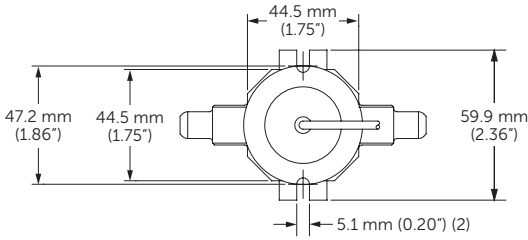


Electrical Connector Information

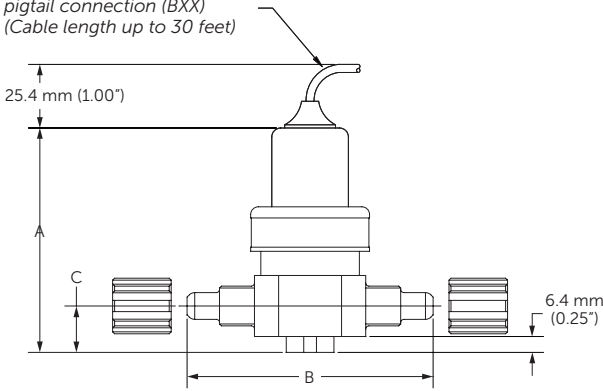
WIRE	4-20 mA OUTPUT VERSION
Black	Ground (-) 4-20 mA
Red	24 VDC (+) 4-20 mA
White	Not used

INLET/OUTLET PORT CONNECTION	A	B
¼" MNPT MALE	73.7 mm (2.90")	15.0 mm (0.59")
¼" FNPT FEMALE	78.0 mm (3.07")	–
½" FNPT FEMALE	84.6 mm (3.33")	–

4250 FEP-Jacketed Electrical Cable Connection, Flow-Through



3 conductor Teflon®-jacketed cable,  
pigtail connection (BXX)  
(Cable length up to 30 feet)

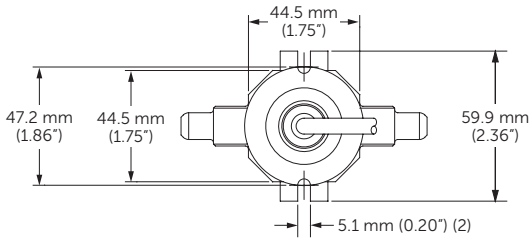


Electrical Connector Information

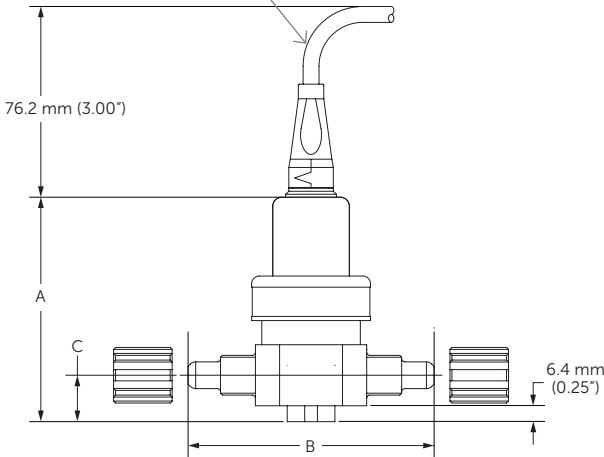
WIRE	4-20 mA OUTPUT VERSION
Red	24 VDC (+) 4-20 mA
Black	Ground (-) 4-20 mA
White	Not used

INLET/OUTLET PORT CONNECTION	A	B	C
¼" Flaretek	89.7 mm (3.53")	94.5 mm (3.72")	18.5 mm (0.73")
⅜" Flaretek	89.7 mm (3.53")	98.3 mm (3.87")	17.0 mm (0.67")
½" Flaretek	96.0 mm (3.78")	102.4 mm (4.03")	21.6 mm (0.85")
¾" Flaretek	104.4 mm (4.11")	108.5 mm (4.27")	25.4 mm (1.00")
1" Flaretek	112.5 mm (4.43")	120.7 mm (4.75")	30.5 mm (1.20")

4250 Polypropylene Connector Connection, Flow-Through



3 conductor connector/cable (dxx)  
(Cable length up to 30 feet)



Electrical Connector Information

WIRE	4-20 mA OUTPUT VERSION
Red	24 VDC (+) 4-20 mA
Black	Ground (-) 4-20 mA
White	Not used

INLET/OUTLET PORT CONNECTION	A	B	C
1/4" Flaretek	89.7 mm (3.53")	94.5 mm (3.72")	18.5 mm (0.73")
3/8" Flaretek	89.7 mm (3.53")	98.3 mm (3.87")	17.0 mm (0.67")
1/2" Flaretek	96.0 mm (3.78")	102.4 mm (4.03")	21.6 mm (0.85")
3/4" Flaretek	104.4 mm (4.11")	108.5 mm (4.27")	25.4 mm (1.00")
1" Flaretek	112.5 mm (4.43")	120.7 mm (4.75")	30.5 mm (1.20")

## FOR MORE INFORMATION

Please call your Regional Customer Service Center today to learn what Entegris can do for you. Visit [entegris.com](https://www.entegris.com) and select the [Contact Us](#) link to find the customer service center nearest you.

## TERMS AND CONDITIONS OF SALE

All purchases are subject to Entegris' Terms and Conditions of Sale. To view and print this information, visit [entegris.com](https://www.entegris.com) and select the [Terms & Conditions link](#) in the footer.

## LIMITED WARRANTY

Entegris' products are subject to the Entegris, Inc. General Limited Warranty. To view and print this information, visit [entegris.com](https://www.entegris.com) and select the [Legal & Trademark Notices](#) link in the footer. Entegris does not warrant any failure in the case of customers using unapproved foreign components.



Corporate Headquarters  
129 Concord Road  
Billerica, MA 01821  
USA

Customer Service  
Tel +1 952 556 4181  
Fax +1 952 556 8022  
Toll Free 800 394 4083

Entegris®, the Entegris Rings Design®, and other product names are trademarks of Entegris, Inc. as listed on [entegris.com/trademarks](https://www.entegris.com/trademarks). All third-party product names, logos, and company names are trademarks or registered trademarks of their respective owners. Use of them does not imply any affiliation, sponsorship, or endorsement by the trademark owner.

©2004-2023 Entegris, Inc. | All rights reserved. | Printed in the USA | 3960-1587ENT-0723