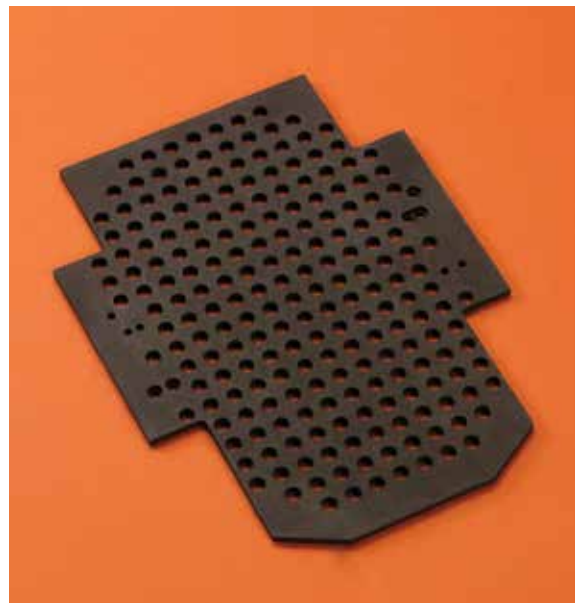


POCO GRAPHITE

An Entegris Company

GLASSMATE®

Catalog of machine repair parts



Materials

POCO's GLASSMATE® family of materials have been specifically developed for use in hot glass contact applications. GLASSMATE materials have the heat resistance, strength, durability and non-absorption characteristics to perform under the most rigorous conditions without damaging the glassware. POCO's hot glass handling materials offer excellent performance combined with reduced mechanical damage for increased pack rates.

Manufacturing

All of POCO's materials and finished parts are produced at the North Texas manufacturing facility. Precision machining cells produce finished parts to customer specifications or standard industry finishes. POCO design specialists assist the customer to obtain the perfect fit for individual applications.

POCO's quality system is certified to ISO 9001:2008 and AS9100:2009.

GLASSMATE Grades

POCO's graphites are high strength, isotropic materials with a uniform microstructure. POCO produces a full range of graphite grades designed for specific applications along the glass production line.

GM

GLASSMATE's GM grade is a 5 micron material with superior strength and durability for applications with high wear. GM is the preferred choice for most applications due to the materials ability to endure long production runs.

SR

GLASSMATE's SR grade is an economical 10 micron material for providing good strength, heat resistance and durability.

HT

GLASSMATE's HT grade is a high strength, 5 micron material with an oxidation inhibitor that raises the oxidation threshold. Service temperature can be raised to 600°C (1125°F).

LT

GLASSMATE's LT grade is a 5 micron material with higher strength properties than the GM grade.

LT-E2

GLASSMATE's LT-E2 is the LT grade that has been impregnated with an oxidation inhibitor that raises the oxidation threshold. Service temperature can be raised to 600°C (1125°F).

CXTX

GLASSMATE's CXTX grade is a cost effective material ideal for lehr stacker bar pads where exceptional hardness or high strength is unnecessary.

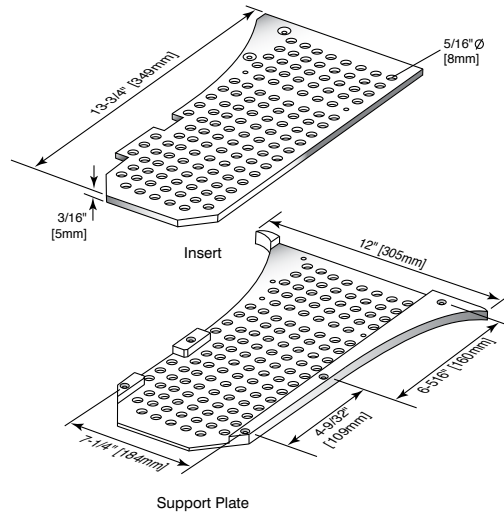
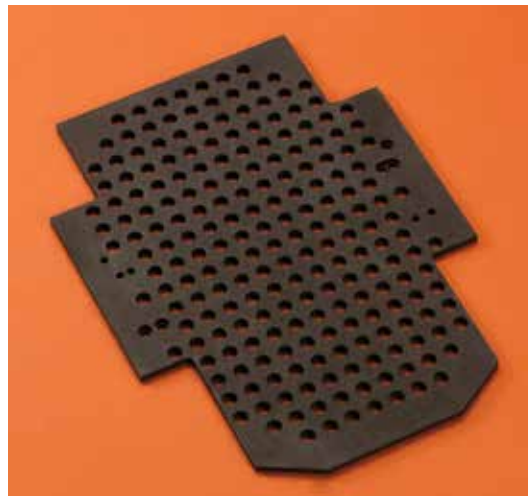
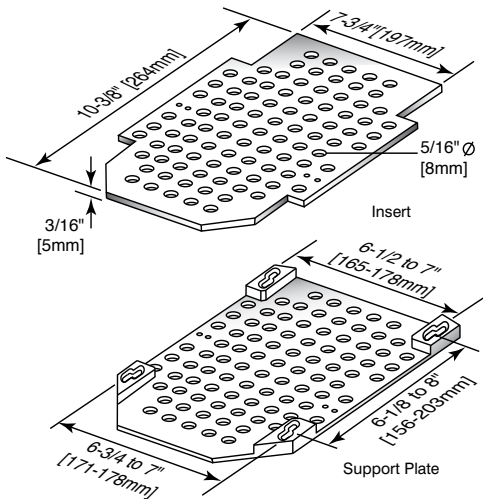
Specialty Items

POCO creates a variety of special items for specific IS machines and customer applications. Many parts are designed to eliminate water-cooling and increase machine speeds.

Dead Plate Assemblies

Dead plate assemblies eliminate glass to metal contact in the dead plate area and help eliminate bottom checks. GLASSMATE dead plate assemblies combine the strength of a metal support plate with the container compatible surface of GLASSMATE graphite. These assemblies with matching air holes allow even flow of air for uniform glass cooling and smoother container transfer. Assemblies are custom designed and engineered to fit your machines and are easy to install. Some assembly designs allow the dead plate to be reversed for prolonged life.

Due to the number of different configurations, GLASSMATE dead plates and companion support plates require special quotation. Two examples of dead plate assemblies are shown below.



Mould Top Inserts

Mould Top Inserts are made from GLASSMATE-HT, a unique high strength 5 micron graphite impregnated with oxidation inhibitors. Impregnation raises the oxidation threshold to withstand the high temperatures of the glass bottle manufacturing process. GLASSMATE-HT has low thermal conductivity minimizing thermal and mechanical checks during mould release, unlike metallic inserts whose higher thermal conductivity and thermal expansion frequently cause bottle damage. The ability to remove the insert prior to cleaning the mould allows the insert to be used and re-used in multiple production runs. These inserts have a metal protective plate for damage resistance.

POCO can design custom inserts to match customer equipment.

Specifications

Minimum finish diameter:	18 mm (.709")
Maximum finish diameter:	29 mm (1.142")





Sweep-out Assemblies

Sweep-out blades are available in a variety of sizes in both angled and straight blades. These reversible blades are lined with long lasting GLASSMATE-GM.

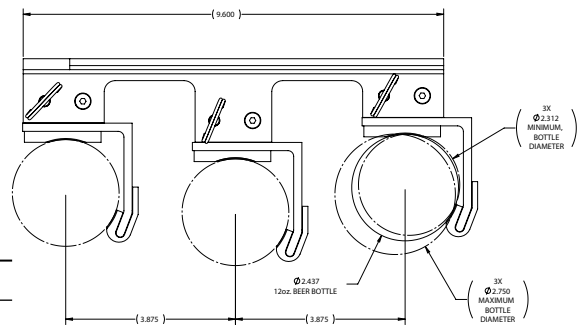
POCO's extended sweep-out assemblies are designed for use with small and tall glass containers.

Sweep-out Assembly DE-32604

This assembly fits 8 1/2 triple gob machines. Each pocket is shaped to accommodate 12 oz beer bottles (61.9 mm or 2.437" diameter), for example only.

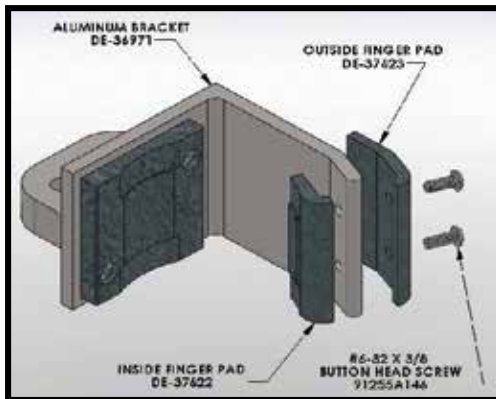
Sweep-out Replacement Parts

Fits	Description	Part
Triple	Back plate	DE-27665
Triple	Pocket assembly	DE-36970A
Triple	Shoulder bolt - 1/4" x 1" x 10-32	DE-97818542
Triple	Hex expansion locknut - 10-32 x 1/4"	DE-97794230
Triple	Ring clip quick release pin - 1/4"	DE-17898131



Sweep-out Repair Kits

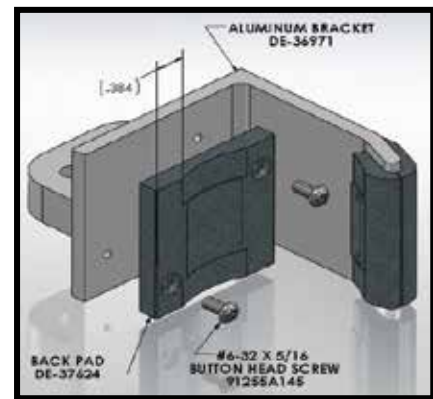
Finger Repair Kit DE-38092



Kit includes:

Description	Quantity
Inside finger pad	1 piece
Outside finger pad	1 piece
Alloy steel button head socket cap screw - 6-32 x 3/8"	2 pieces

Back Pad Repair Kit DE-38093



Kit includes:

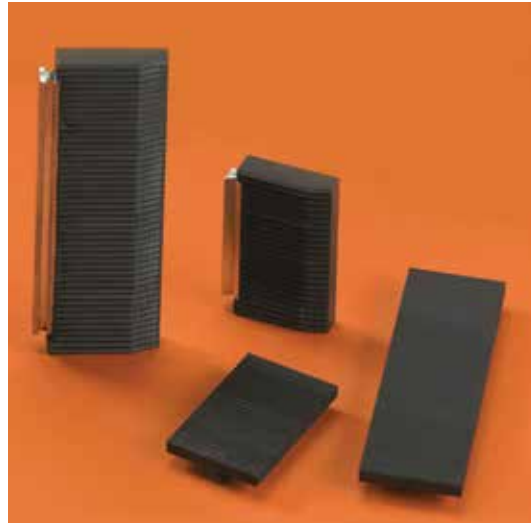
Description	Quantity
Back pad	1 piece
Alloy steel button head socket cap screw - 6-32 x 5/16"	2 pieces

Transfer Pads

POCO transfer wheel pads and fingers are made from GLASSMATE-GM for superior strength and durability. GM graphite is ideal for applications with high wear.

Transfer pads and fingers are available in 3" or 6" lengths and fit either dove tail or T-slot holders.

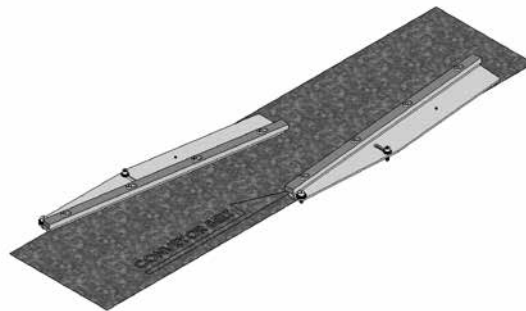
Fits	Description	Part
Dove tail	3" GM transfer wheel back pad	DE-29190
Dove tail	6" GM transfer wheel back pad	Special order
Dove tail	3" GM transfer wheel finger	DE-29191
Dove tail	6" GM transfer wheel finger	Special order
T-slot	3" GM transfer wheel back pad	Special order
T-slot	6" GM transfer wheel back pad	DE-26877
T-slot	3" GM transfer wheel finger	Special order
T-slot	6" GM transfer wheel finger	Special order



Bottle Guides

The POCO V-Spacer is designed to reliably align bottles as they enter the two belt Lehr entrance system on a quad machine. The POCO Split V was designed for use with single conveyer, multiple gob machines. Pads are adjustable and easy to install.

V-Spacer's and Split V's are special order items requiring additional production time. Both are available in 12" and 18" lengths. Please contact your sales rep for more information.



Split V

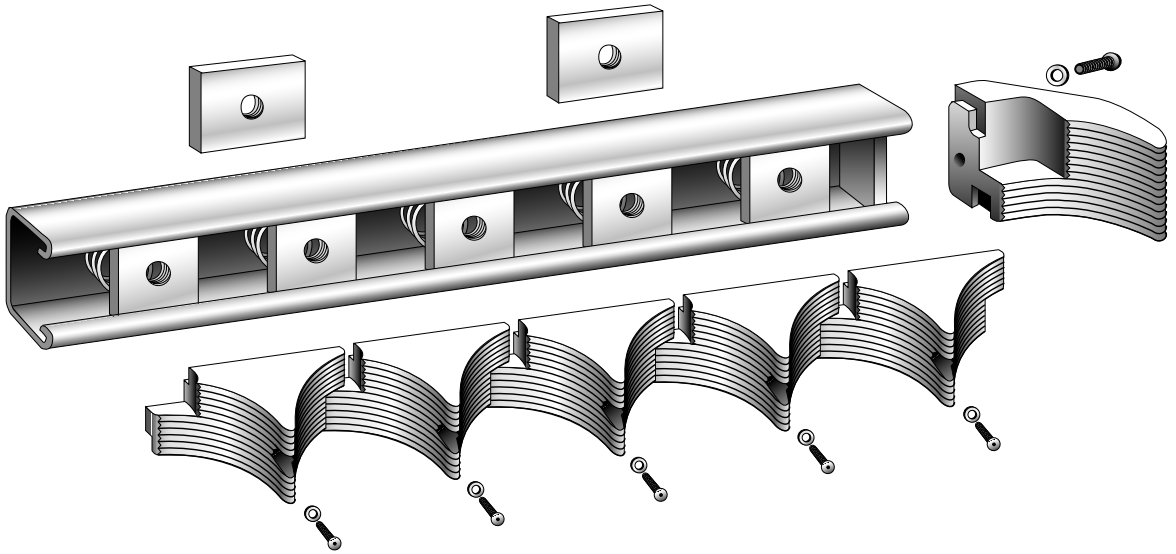
Lehr Stacker Bar Assembly

POCO's complete Lehr Stacker Bars are available to meet all your container-handling needs in open, semi-closed, or closed Lehr applications. POCO's pocketed design of interlocking pads, coupled with steel mounting channels, create a bar that resists warping and is extremely durable.

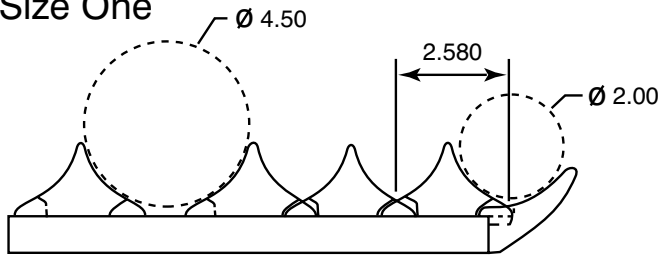
POCO's machined stacker pads are available to fit your current stacker bar configuration.



Lehr Stacker Bar Assembly Components



Size One

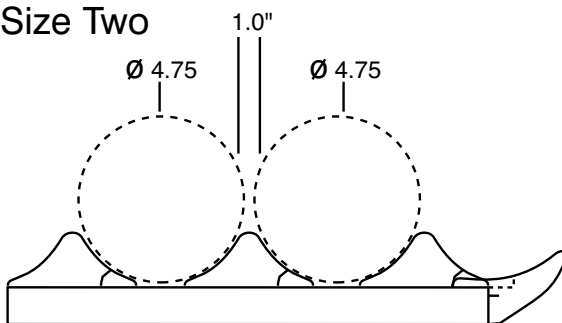


Push 2" to 4-1/2" diameter ware with a single bar and size 1 pad.

CXTX size 1 pad
DE-25031

CXTX end pad
assembly – size 1
DE-25093

Size Two



CXTX size 2 pad
DE-25080

CXTX end pad
assembly – size 2
DE-25196

Lehr Stacker Bar Hardware Kits

Item	Description	Part
L/S hardware kit	3 mount brackets and 1 end fixture	DE-12178
L/S nut pack	50 spring nuts	DE-12177
L/S fastener kit	50 washers and 50 self locking nylon patch screws	DE-12176
8' bar kit	8' bar, 3 mounting blocks, 50 each screws, washers, nuts	DE-12119
10' bar kit	10' bar, 3 mounting blocks, 50 each screws, washers, nuts	DE-12120
12' bar kit	12' bar, 3 mounting blocks, 50 each screws, washers, nuts	DE-12121
14' bar kit	14' bar, 3 mounting blocks, 50 each screws, washers, nuts	DE-12122
16' bar kit	16' bar, 3 mounting blocks, 50 each screws, washers, nuts	DE-12123
20' bar kit	20' bar, 3 mounting blocks, 50 each screws, washers, nuts	DE-12124

Specialty Items

Item	Description	Part
SR gob funnel	Gob funnel - external forced air or water cooling is not required. Specify bore diameter when ordering, max 2" or 52 mm I.D.	N/A

For More Information

Please call your Regional Customer Service Representative or Distributor today to learn what POCO's GLASSMATE products can do for you. Visit www.poco.com and select the Contacts link for the location nearest you.

POCO® and GLASSMATE® are trademarks of Poco Graphite, Inc.

POCO GRAPHITE, INC.

Corporate Headquarters | 300 Old Greenwood Road | Decatur, TX 76234 USA
Customer Service Tel. +1 940 627 2121 | Customer Service Fax +1 940 393 8362
In North America 800 433 5547 | www.poco.com