

Panelgard™ Ex PP Housing

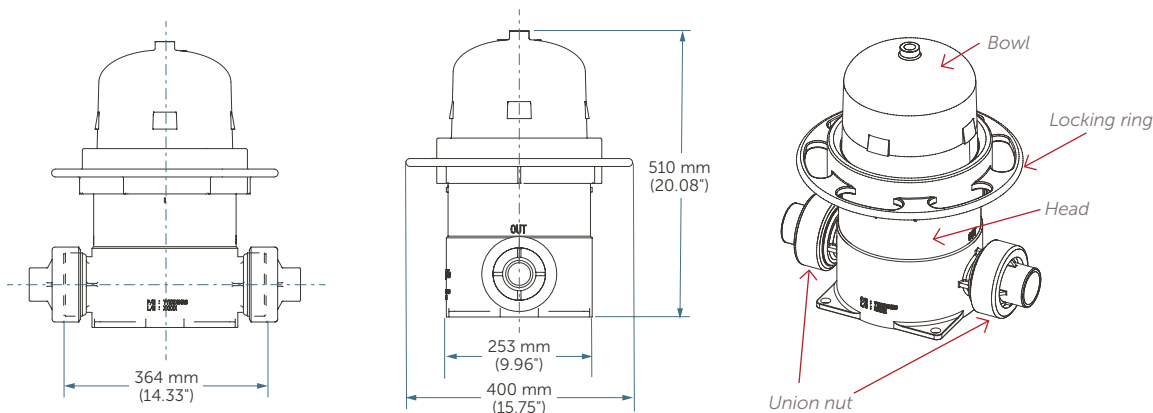
Bulk filter housing compatible with Panelgard Ex cartridge filters



SPECIFICATIONS

Materials	Housing head	Polypropylene
	Housing bowl	Polypropylene
	O-ring for housing body	EPDM (AS568-376)
	Locking ring	PVDF
Connections	Inlet/outlet	65A, 50A, 40A (Reducing sleeve on 50A and 40A)
	Vent/drain	Rc½
Maximum operating conditions	Maximum operating pressure:	0.4 MPa (4 bar, 58 psi) @ 25°C (77°F) 0.2 MPa (2 bar, 29 psi) @ 40°C (104°F)
	Maximum operating temperature:	40°C (104°F)
Accessories	PP plug for vent/drain (3 each)	
	PVC union connector and EPDM o-ring (2/set)	
Compatible filters	Panelgard Ex cartridge filters	

DIMENSIONS



ORDERING INFORMATION

Part number	Description	Inlet/outlet connections	Units per box
YYEXP108E	Panelgard Ex PP housing 65A EPDM	65A	1
YYEXP107E	Panelgard Ex PP housing 50A EPDM	50A	1
YYEXP106E	Panelgard Ex PP housing 40A EPDM	40A	1

Accessories

Part number	Description	Quantity
YYEX00001	Panelgard Ex wrench	1
YYEX000EP	Panelgard Ex housing o-ring EPDM	1
YYEX008EP	Panelgard Ex union o-ring EPDM	2

FOR MORE INFORMATION

Please call your Regional Customer Service Center today to learn what Entegris can do for you. Visit entegris.com and select the [Contact Us](#) link to find the customer service center nearest you.

TERMS AND CONDITIONS OF SALE

All purchases are subject to Entegris' Terms and Conditions of Sale. To view and print this information, visit entegris.com and select the [Terms & Conditions](#) link in the footer.



Corporate Headquarters
129 Concord Road
Billerica, MA 01821
USA

Customer Service
Tel +1 952 556 4181
Fax +1 952 556 8022
Toll Free 800 394 4083

Entegris®, the Entegris Rings Design®, and other product names are trademarks of Entegris, Inc. as listed on entegris.com/trademarks. All third-party product names, logos, and company names are trademarks or registered trademarks of their respective owners. Use of them does not imply any affiliation, sponsorship, or endorsement by the trademark owner.

©2006-2018 Entegris, Inc. | All rights reserved. | Printed in the USA | 4429-8218ENT-1118