

Panelgard™ Ex PVDF Housing

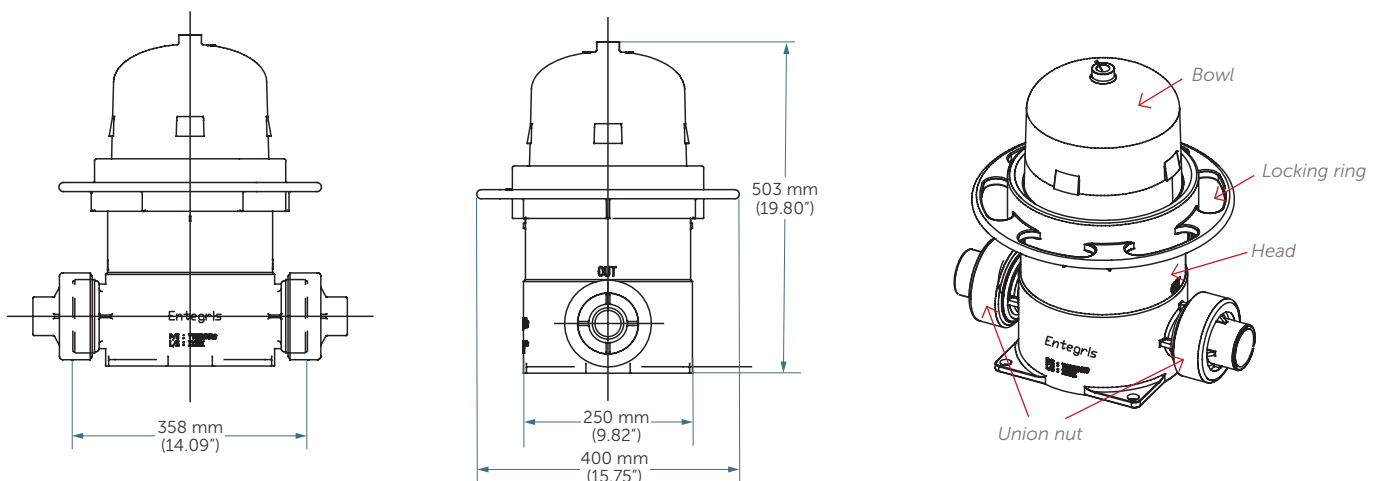
*Bulk filter housing compatible with
Panelgard Ex cartridge filters*



SPECIFICATIONS

Materials	Housing head	PVDF
	Housing bowl	PVDF
	O-ring for housing body	Fluoroelastomer (AS568-375)
	Locking ring	PVDF
Connections	Inlet/outlet	65A, 50A, 40A (Reducing sleeve on 50A and 40A)
	Vent/drain	Rc½
Maximum operating pressure	0.69 MPa at 25°C (77°F)	
	0.6 MPa at 50°C (122°F)	
Maximum operating temperature	50°C (122°F)	
Accessories	PVDF plug for vent/drain (3 each)	
	PVC union connector and fluoroelastomer o-ring (2/set)	
Compatible filters	Panelgard Ex cartridge filters	

DIMENSIONS



ORDERING INFORMATION

Part number	Description	Inlet/outlet connections	Unit per box
YYEXD108V	Panelgard Ex PVDF housing 65A fluoroelastomer	65A	1
YYEXD107V	Panelgard Ex PVDF housing 50A fluoroelastomer	50A	1
YYEXD106V	Panelgard Ex PVDF housing 40A fluoroelastomer	40A	1

ACCESSORIES

Part number	Description	Quantity
YYEX00001	Panelgard Ex wrench	1
YYEX000VT	Panelgard Ex housing o-ring fluoroelastomer	1
YYEX008VT	Panelgard Ex union o-ring fluoroelastomer	2

FOR MORE INFORMATION

Please call your Regional Customer Service Center today to learn what Entegris can do for you. Visit entegris.com and select the Contact Us link to find the customer service center nearest you.

TERMS AND CONDITIONS OF SALE

All purchases are subject to Entegris' Terms and Conditions of Sale. To view and print this information, visit entegris.com and select the Terms & Conditions link in the footer.



Corporate Headquarters
129 Concord Road
Billerica, MA 01821
USA

Customer Service
Tel +1 952 556 4181
Fax +1 952 556 8022
Toll Free 800 394 4083

Entegris®, the Entegris Rings Design™, Pure Advantage™ and Panelgard™ are trademarks of Entegris, Inc.
©2006-2017 Entegris, Inc. | All rights reserved. | Printed in the USA | 4429-8217ENT-0117