



**WAFERGARD® II SF 3XP
IN-LINE GAS FILTERS**

*All stainless steel gas filters for
ultra-high purity gas filtration*



ultra-high purity filtration for high-flow applications

Overview

Wafergard® II SF 3XP Mini and Mini XL in-line gas filters for ultra-high purity (UHP), high-flow gas lines are all 316L stainless steel construction and are designed with 3x higher flow rate and 3-digit higher retention efficiency than similar filters. Designed for mid-range flow rates up to 500 SLM and recommended filtration of UHP high-flow applications such as diffusion, annealing, epitaxy tools and connections.

Specifications

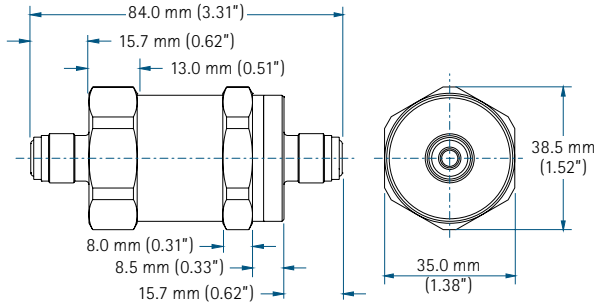
Materials:	Membrane, housing	316L stainless steel
Surface finish interior:	≤5 µin Ra	
Removal rating:	≥99.99999% removal of ≥0.003 µm particles in gas @ 200 SLM	
Downstream cleanliness:	Cleanliness <0.03 particles/L >0.01 µm	
Operating conditions:	Maximum operating pressure	53 bar (768 PSIG)
	Maximum differential pressure	9.8 bar (142 PSIG)
	Maximum operating temperature	460°C (860°F)
Helium leak rating:	9 × 10 ⁻¹⁰ Pam ³ /sec	
Warranty:	2 year	

Features and Benefits

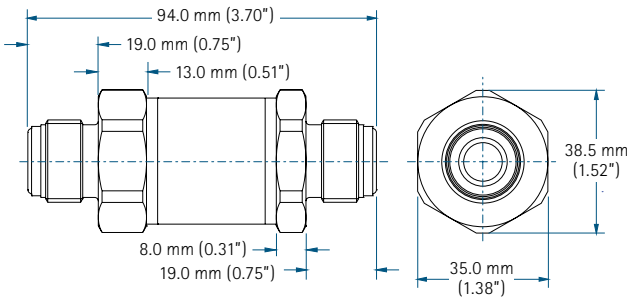
- Optimized high-flow and high-retention 316L stainless steel filter element
 - 3x flow rate and 3-digit retention efficiency improvement over existing model
- Standard size
 - Ease of installation without design changes of gas panel or delivery system
- All 316L stainless steel construction
 - Filter of choice for high-purity gas systems
 - Excellent gas compatibility with most semiconductor gases
 - Ideal for high-temperature and dynamic pressure applications

Dimensions

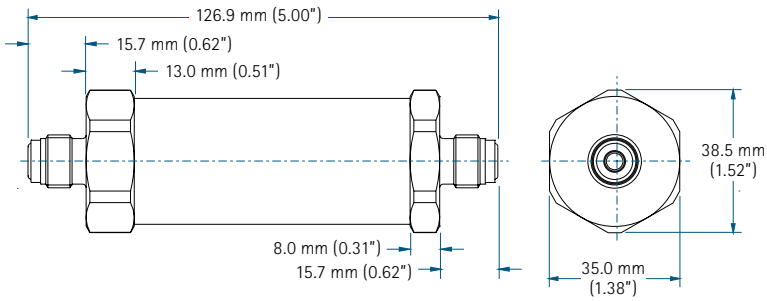
WG2S 3P1 RR2



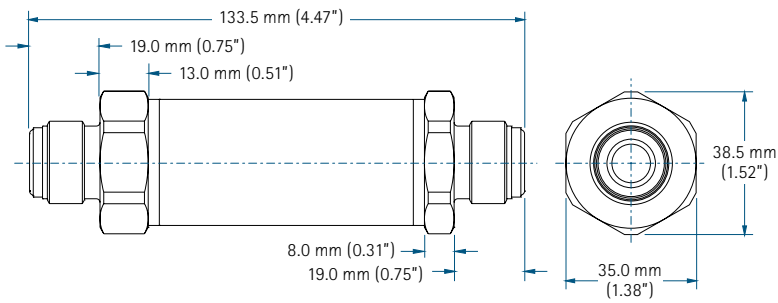
WG2S 3P1 RR4



WG2S 3P2 RR2

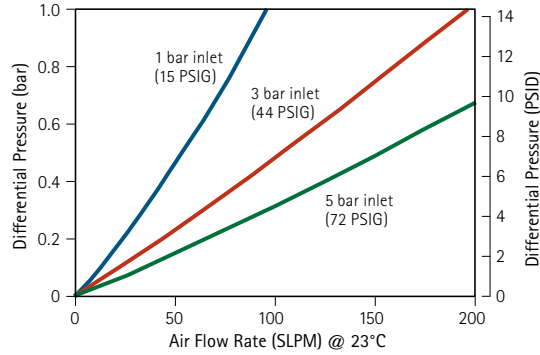


WG2S 3P2 RR4

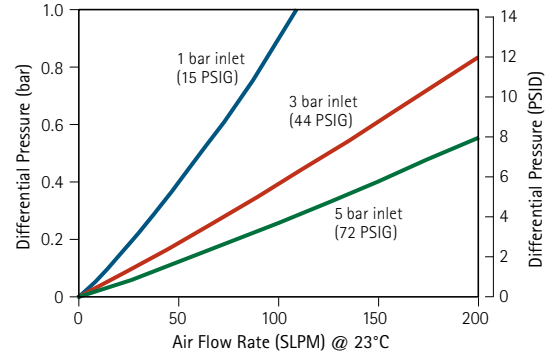


Performance Data

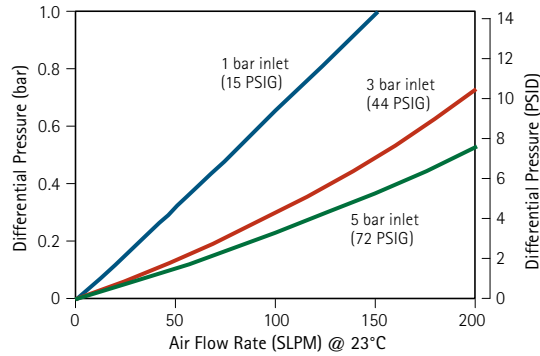
Wafergard II SF 3XP Mini Gas Filter – 1/4" Fittings



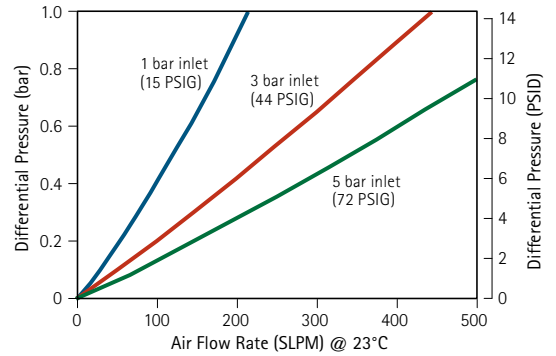
Wafergard II SF 3XP Mini Gas Filter – 1/2" Fittings



Wafergard II SF 3XP Mini XL Gas Filter – 1/4" Fittings



Wafergard II SF 3XP Mini XL Gas Filter – 1/2" Fittings



Ordering Information

Part Number	Description	Overall Length
WG2S 3P1 RR2	Wafergard II SF 3XP Mini in-line filter, 1/4" gasket seal (1/4" VCR® compatible)	84 mm (3.31")
WG2S 3P1 RR4	Wafergard II SF 3XP Mini in-line filter, 1/2" gasket seal (1/2" VCR compatible)	94 mm (3.70")
WG2S 3P2 RR2	Wafergard II SF 3XP Mini XL in-line filter, 1/4" gasket seal (1/4" VCR compatible)	126.9 mm (5.00")
WG2S 3P2 RR4	Wafergard II SF 3XP Mini XL in-line filter, 1/2" gasket seal (1/2" VCR compatible)	133.5 mm (5.26")

For More Information

Please call your Regional Customer Service Center today to learn what Entegris can do for you. Visit www.entegris.com and select the Customer Service link for the center nearest you.

Terms and Conditions of Sale

All purchases are subject to Entegris' Terms and Conditions of Sale. To view and print this information, visit www.entegris.com and select the Legal Notices link from the footer.

Entegris® and Wafergard® are registered trademarks of Entegris, Inc. VCR® is a registered trademark of Swagelok Company.

ENTEGRIS, INC.

Corporate Headquarters | 129 Concord Road | Billerica, MA 01821 USA
 Customer Service Tel. +1 952 556 4181 | Customer Service Fax +1 952 556 8022
 In North America 800 394 4083 | www.entegris.com