



A192 SERIES 200 MM (8") LED WAFER CARRIER

Secure protection for 200 mm wafers

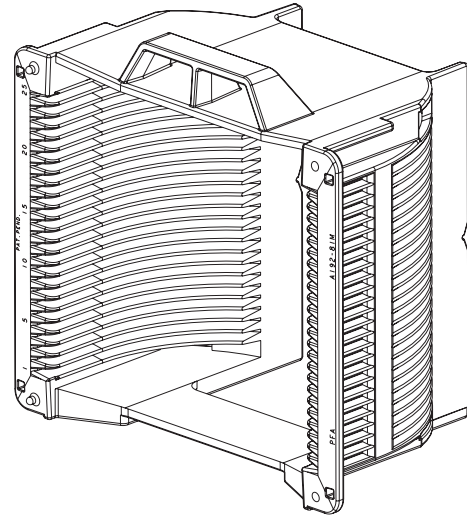
Overview

Entegris' A192 series PFA open-flow wafer carrier allows solutions to pass through evenly and quickly. Combined with the chemical resistance of PFA, this carrier will improve your wafer protection and automated processes.

ID options are also available, as well as second operation modifications.

Features

- "H" bar for equipment interface
- Locating track notches at the center of thirteenth pocket
- Pins and holes on top rail



Specifications/Ordering Information

Part Number	Material	Wafer Size	Wafer Capacity	D1 Dimensions	Pocket Spacing	Pocket Flat
A192-80 (High profile)	PFA	200 mm (8")	25	25.4 mm (1.0")	6.4 mm (0.25")	1.7 mm (0.07")
A192-81 (Low profile)	PFA	200 mm (8")	25	25.4 mm (1.0")	6.4 mm (0.25")	1.7 mm (0.07")
A192-82 (Low profile)	PFA	200 mm (8")	50	25.4 mm (1.0")	3.2 mm (0.13")	1.7 mm (0.07")

For More Information

Please call your Regional Customer Service Center today to learn what Entegris can do for you. Visit www.entegris.com and select the "Customer Service" link for the center nearest you.

Terms and Conditions of Sale

All purchases are subject to Entegris' "Terms and Conditions of Sale." To view and print this information, visit Entegris' website at www.entegris.com and select the Legal Notices link from the footer found on the home page.

Entegris® is a registered trademark of Entegris, Inc.

ENTEGRIS, INC.

Corporate Headquarters | 129 Concord Road | Billerica, MA 01821 USA
Customer Service Tel. +1 952 556 4181 | Customer Service Fax +1 952 556 8022
In North America 800 394 4083 | www.entegris.com