



A82 SERIES PFA WAFER CARRIER

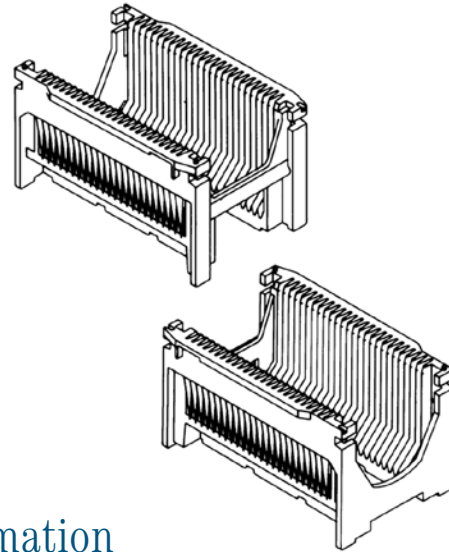
Secure protection for 76.2 mm LED wafers

Overview

The A82 series PFA wafer carrier can withstand harsh chemical processes. In addition, the A82 series is designed with wash openings for more effective drying at the end of your process and will prevent the retention of chemicals.

Features

- “H” bar equipment interface
- Flanges on the “H” bar end
- Pins and holes on top rail
- 25-wafer capacity



Specifications/Ordering Information

Part Number	Material	D1 Dimensions	Pocket Spacing	Pocket Flat
A82M-0215	PFA	14.0 mm (0.55")	4.76 mm (0.19")	1.52 mm (0.06")

For More Information

Please call your Regional Customer Service Center today to learn what Entegris can do for you. Visit www.entegris.com and select the “Customer Service” link for the center nearest you.

Terms and Conditions of Sale

All purchases are subject to Entegris’ “Terms and Conditions of Sale.” To view and print this information, visit Entegris’ website at www.entegris.com and select the Legal Notices link from the footer found on the home page.

Entegris® is a registered trademark of Entegris, Inc.

ENTEGRIS, INC.

Corporate Headquarters | 129 Concord Road | Billerica, MA 01821 USA
 Customer Service Tel. +1 952 556 4181 | Customer Service Fax +1 952 556 8022
 In North America 800 394 4083 | www.entegris.com